

ENGLISH

FRANÇAIS

DEUTSCH

ITALIANO

ESPAÑOL

日本語

# AXIS 291 1U Video Server Rack

## Installation Guide

## Legal Considerations

Video and audio surveillance can be regulated by laws that vary from country to country. Check the laws in your local region before using this product for surveillance purposes.

## Liability

Every care has been taken in the preparation of this document. Please inform your local Axis office of any inaccuracies or omissions. Axis Communications AB cannot be held responsible for any technical or typographical errors and reserves the right to make changes to the product and manuals without prior notice. Axis Communications AB makes no warranty of any kind with regard to the material contained within this document, including, but not limited to, the implied warranties of merchantability and fitness for a particular purpose. Axis Communications AB shall not be liable nor responsible for incidental or consequential damages in connection with the furnishing, performance or use of this material. This product is only to be used for its intended purpose.

## Intellectual Property Rights

Axis AB has intellectual property rights relating to technology embodied in the product described in this document. In particular, and without limitation, these intellectual property rights may include one or more of the patents listed at [www.axis.com/patent.htm](http://www.axis.com/patent.htm) and one or more additional patents or pending patent applications in the USA and other countries.

## Equipment Modifications

This equipment must be installed and used in strict accordance with the instructions given in the user documentation. This equipment contains no user-serviceable components. Unauthorized equipment changes or modifications will invalidate all applicable regulatory certifications and approvals.


## Trademark Acknowledgments

AXIS COMMUNICATIONS, AXIS, ETRAX, ARTPEC and VAPIX are registered trademarks or trademark applications of Axis AB in various jurisdictions. All other company names and products are trademarks or registered trademarks of their respective companies.

Apple, Boa, Apache, Bonjour, Ethernet, Internet Explorer, Linux, Microsoft, Mozilla, Real, SMPTE, QuickTime, UNIX, Windows, Windows Vista and WWW are registered trademarks of the respective holders. Java and all Java-based trademarks and logos are trademarks or registered trademarks of Oracle and/or its affiliates. UPnP™ is a certification mark of the UPnP™ Implementers Corporation.

## Regulatory Information

### Europe

 This product complies with the applicable CE marking directives and harmonized standards:

- Electromagnetic Compatibility (EMC) Directive 2004/108/EC. See *Electromagnetic Compatibility (EMC)* on page 2.
- Low Voltage (LVD) Directive 2006/95/EC. See *Safety* on page 3.
- Restrictions of Hazardous Substances (RoHS) Directive 2011/65/EU. See *Disposal and Recycling* on page 3.

A copy of the original declaration of conformity may be obtained from Axis Communications AB. See *Contact Information* on page 3.

## Electromagnetic Compatibility (EMC)

This equipment has been designed and tested to fulfill applicable standards for:

- Radio frequency emission when installed according to the instructions and used in its intended environment.
- Immunity to electrical and electromagnetic phenomena when installed according to the instructions and used in its intended environment.

### USA

This equipment has been tested using a shielded network cable (STP) and found to comply with the limits for a Class B digital device, pursuant to part 15 of the FCC Rules. These limits are designed to provide reasonable protection against harmful interference in a residential installation. This equipment generates, uses and can radiate radio frequency energy and, if not installed and used in accordance with the instructions, may cause harmful interference to radio communications. However, there is no guarantee that interference will not occur in a particular installation. If this equipment does cause harmful interference to radio or television reception, which can be determined by turning the equipment off and on, the user is encouraged to try to correct the interference by one or more of the following measures:

- Reorient or relocate the receiving antenna.
- Increase the separation between the equipment and receiver.
- Connect the equipment into an outlet on a circuit different from that to which the receiver is connected.
- Consult the dealer or an experienced radio/TV technician for help.

The product shall be connected using a shielded network cable (STP) that is properly grounded.

### Canada

This digital apparatus complies with CAN ICES-3 (Class B). The product shall be connected using a shielded network cable (STP) that is properly grounded.

Cet appareil numérique est conforme à la norme CAN NMB-3 (classe B). Le produit doit être connecté à l'aide d'un câble réseau blindé (STP) qui est correctement mis à la terre.

### Europe

This digital equipment fulfills the requirements for RF emission according to the Class B limit of EN 55022. The product shall be connected using a shielded network cable (STP) that is properly grounded.

This product fulfills the requirements for immunity according to EN 61000-6-1 residential, commercial and light-industrial environments.

This product fulfills the requirements for immunity according to EN 61000-6-2 industrial environments.

This product fulfills the requirements for emission according to EN 61000-6-3 residential, commercial and light-industrial environments.

This product fulfills the requirements for immunity according to EN 55024 office and commercial environments

### Australia/New Zealand

This digital equipment fulfills the requirements for RF emission according to the Class B limit of AS/NZS CISPR 22. The product shall be connected using a shielded network cable (STP) that is properly grounded.

### Japan

この装置は、クラスB情報技術装置です。この装置は、家庭環境で使用することを目的としています。この装置がラジオやテレビジョン受信機に近接して使用されると、受信障害を引き起こすこと

があります。取扱説明書に従って正しい取り扱いをして下さい。本製品は、シールドネットワークケーブル(STP)を使用して接続してください。また適切に接地してください。

## Safety

The power supply used with this product shall fulfill the requirements for Safety Extra Low Voltage (SELV) and Limited Power Source (LPS) according to IEC/EN/UL 60950-1.

## Disposal and Recycling

When this product has reached the end of its useful life, dispose of it according to local laws and regulations. For information about your nearest designated collection point, contact your local authority responsible for waste disposal. In accordance with local legislation, penalties may be applicable for incorrect disposal of this waste.

## Europe



■ This symbol means that the product shall not be disposed of together with household or commercial waste. Directive 2012/19/EU on waste electrical and electronic equipment (WEEE) is applicable in the European Union member states. To prevent potential harm to human health and the environment, the product must be disposed of in an approved and environmentally safe recycling process. For information about your nearest designated collection point, contact your local authority responsible for waste disposal. Businesses should contact the product supplier for information about how to dispose of this product correctly.

This product complies with the requirements of Directive 2011/65/EU on the restriction of the use of certain hazardous substances in electrical and electronic equipment (RoHS).

## China



■ This product complies with the requirements of the legislative act Administration on the Control of Pollution Caused by Electronic Information Products (ACPEIP).

## Contact Information

Axis Communications AB  
Emdalavägen 14  
223 69 Lund  
Sweden

Tel: +46 46 272 18 00

Fax: +46 46 13 61 30

[www.axis.com](http://www.axis.com)

## Support

Should you require any technical assistance, please contact your Axis reseller. If your questions cannot be answered immediately, your reseller will forward your queries through the appropriate channels to ensure a rapid response. If you are connected to the Internet, you can:

- download user documentation and software updates
- find answers to resolved problems in the FAQ database. Search by product, category, or phrase
- report problems to Axis support staff by logging in to your private support area
- chat with Axis support staff
- visit Axis Support at [www.axis.com/techsup/](http://www.axis.com/techsup/)

## Learn More!

Visit Axis learning center [www.axis.com/academy/](http://www.axis.com/academy/) for useful trainings, webinars, tutorials and guides.



## Safety Information

Read through this Installation Guide carefully before installing the product. Keep the Installation Guide for future reference.

### Hazard Levels

**▲DANGER**

Indicates a hazardous situation which, if not avoided, will result in death or serious injury.

**▲WARNING**

Indicates a hazardous situation which, if not avoided, could result in death or serious injury.

**▲CAUTION**

Indicates a hazardous situation which, if not avoided, could result in minor or moderate injury.

**NOTICE**

Indicates a situation which, if not avoided, could result in damage to property.

### Other Message Levels

**Important**

Indicates significant information which is essential for the product to function correctly.

**Note**

Indicates useful information which helps in getting the most out of the product.

# AXIS 291 1U Video Server Rack

---

## Safety Instructions

### **▲WARNING**

- The Axis product shall be installed by a trained professional.

### **NOTICE**

- The Axis product shall be used in compliance with local laws and regulations.
- To use the Axis product outdoors, or in similar environments, it shall be installed in an approved outdoor housing.
- Store the Axis product in a dry and ventilated environment.
- Avoid exposing the Axis product to shocks or heavy pressure.
- Do not install the product on unstable brackets, surfaces or walls.
- Use only applicable tools when installing the Axis product. Using excessive force with power tools could cause damage to the product.
- Use only accessories that comply with technical specification of the product. These can be provided by Axis or a third party.
- Use only spare parts provided by or recommended by Axis.
- Do not attempt to repair the product by yourself. Contact Axis support or your Axis reseller for service matters.

## Transportation

### **NOTICE**

- When transporting the Axis product, use the original packaging or equivalent to prevent damage to the product.

## Installation Guide

This Installation Guide provides instructions for installing AXIS 291 1U Video Server Rack which can hold up to three Axis blade video servers. To install the Axis video server on the network, please see the video server's own installation guide on [www.axis.com](http://www.axis.com)

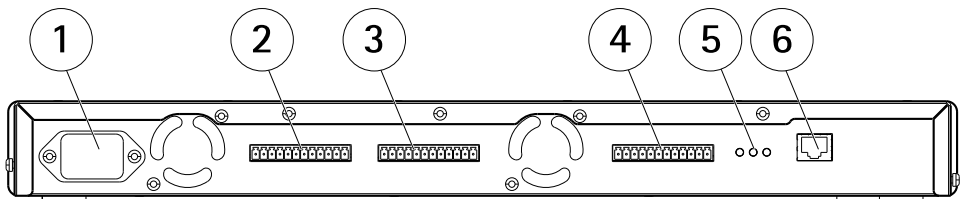
## Installation Steps

1. Make sure the package contents, tools and other materials necessary for the installation are in order. See *page 7*.
2. Study the hardware overview. See *page 9*.
3. Study the specifications. See *page 9*.
4. Install the hardware. See *page 12*.

## Package Contents

- AXIS 291 1U Video Server Rack
- Front panel cover 1U (x2)
- AC power cord, see *page 9*
- Mounting kit
  - Rubber foot (x4) for placement on flat surfaces
  - Mounting bracket (left side)
  - Mounting bracket (right side)
  - M3x8 screws for attachment of side brackets
  - M6x20 screws for mounting AXIS Video Server Rack in equipment rack
  - Terminal connector block, 12-pin, green
- Printed materials
  - Installation Guide (this document)

## Hardware Overview



1 Power connector

# AXIS 291 1U Video Server Rack

---

- 2 I/O Terminal Connector 3
- 3 I/O Terminal Connector 2
- 4 I/O Terminal Connector 1
- 5 Power and Network LEDs
- 6 Network Connector

## LED Indicators

10/100 LED	Indication
Red	Flashes for connection to a 10 Mbit/s network.
Green	Flashes for connection to a 100 Mbit/s network.

1000 LED	Indication
Green	Flashes for connection to a 1 Gbit/s network.

Power LED	Indication
Green	Normal operation.

## Connectors and Buttons

For specifications and operating conditions, see *page 9*.

### Network Connector

RJ45 Ethernet connector.

### I/O Connector

Use with external devices in combination with, for example, tampering alarms, motion detection, event triggering, time lapse recording and alarm notifications. In addition to the 0 V DC reference point and power (DC output), the I/O connector provides the interface to:

- **Digital output** – For connecting external devices such as relays and LEDs. Connected devices can be activated by the VAPIX® Application Programming Interface, output buttons on the Live View page or by an Action Rule. The output will show as active (shown under **System Options > Ports & Devices**) if the alarm device is activated.
- **Digital input** – An alarm input for connecting devices that can toggle between an open and closed circuit, for example: PIRs, door/window contacts, glass break detectors, etc. When a signal is received the state changes and the input becomes active (shown under **System Options > Ports & Devices**).



## RS485/RS422 Connector

Two terminal blocks for RS485/RS422 serial interface used to control auxiliary equipment such as PTZ devices.

## Specifications

### Operating Conditions

The Axis product is intended for indoor use.

Product	Temperature	Humidity
AXIS 291 1U	0 °C to 45 °C (32 °F to 113 °F)	20-80% RH (non-condensing)

### Power Specifications

**NOTICE**

Use a limited power source (LPS) with either a rated output power limited to  $\leq 100$  W or a rated output current limited to  $\leq 5$  A.

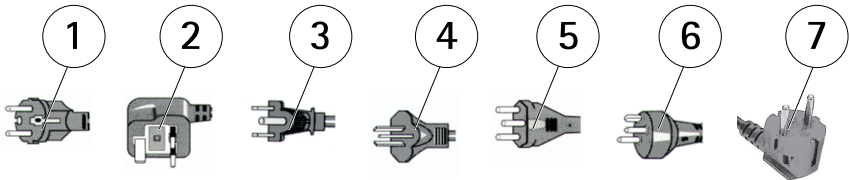
Product	Input Voltage	Input Current	Power Consumption
AXIS 291 1U	100–240 V AC 50–60 Hz	1.9 A	With 3 AXIS 243Q: max. 80 W

## Connectors

### Power Connector

AC connector for power input.

Power cord plug variants:



1 Europe

## AXIS 291 1U Video Server Rack

---

- 2 *UK*
- 3 *US, Canada, Japan*
- 4 *Australia*
- 5 *Switzerland*
- 6 *Denmark*
- 7 *South Korea*

### Pin Assignments for I/O Connector - AXIS P72 Blades

Pin	Function	Description	
1	+12V out, 100mA		
2	GND		
3	Configurable I/O 1	Digital input - Connect to GND to activate, or leave floating (or unconnected) to deactivate. Digital output - Uses an opendrain NFET transistor with the source connected to GND. If used with an external relay, a diode must be connected in parallel with the load, for protection against voltage transients.	Min input = 0V DC Max input = + 40V DC Max load = 100mA Max voltage applied = + 40V DC
4	Configurable I/O 2		
5	Configurable I/O 3		
6	Configurable I/O 4		
7-10		Not used	
11	RS485A	A half-duplex RS485 interface for controlling auxiliary equipment e.g. PTZ devices.	
12	RS485B		

### Pin Assignments for I/O Connector - AXIS Q7414 Blade

Pin	Function	Description
1	+12 V out, 100mA	
2	GND	

3	Channel 1, Configurable I/O 1	Digital input - Connect to GND to activate, or leave floating (or unconnected) to deactivate. Digital output - Uses an open drain NFET transistor with the source connected to GND. If used with an external relay, a diode must be connected in parallel with the load, for protection against voltage transients.	Min input = - 40 V DC Max input = + 40 V DC Max load = 100mA Max voltage = + 40 V DC (to the transistor)
4	Channel 2, Configurable I/O 1		
5	Channel 3, Configurable I/O 1		
6	Channel 4, Configurable I/O 1		
7	Channel 1, Configurable I/O 2		
8	Channel 2, Configurable I/O 2		
9	Channel 3, Configurable I/O 2		
10	Channel 4, Configurable I/O 2		
11	RS485A	A half-duplex RS485 interface for controlling auxiliary equipment such as PTZ devices.	
12	RS485B		

### Pin Assignments for I/O Connector - AXIS Q7406 and AXIS Q7436 Blades

Pin	Function	Description	
1	+12 V out, 100mA		
2	GND		
3	Channel 1, Configurable I/O 1	Digital input - Connect to GND to activate, or leave floating (or unconnected) to deactivate. Digital output - Uses an open drain NFET transistor with the source connected to GND. If used with an external relay, a diode must be connected in parallel with the load, for protection against voltage transients.	Min input = - 40 V DC Max input = + 40 V DC Max load = 100mA Max voltage = + 40 V DC (to the transistor)
4	Channel 2, Configurable I/O 1		
5	Channel 3, Configurable I/O 1		
6	Channel 4, Configurable I/O 1		
7	Channel 5, Configurable I/O 1		

# AXIS 291 1U Video Server Rack

8	Channel 6, Configurable I/O 1	
9	Channel 1, Configurable I/O 2	
10	Channel 2, Configurable I/O 2	
11	RS485A	A half-duplex RS485 interface for controlling auxiliary equipment such as PTZ devices.
12	RS485B	

## Install the Hardware

### NOTICE

The AXIS 291 Video Server Rack is designed for use with Axis Blade Video Servers only.

The location the AXIS 291 1U Video Server Rack is used in must meet the following requirements:

- The power source must be located within 1.8 meters
- There must be a minimum of 50 mm free space on each side, to ensure adequate ventilation
- No excessive dust

Perform the hardware installation in the following order:

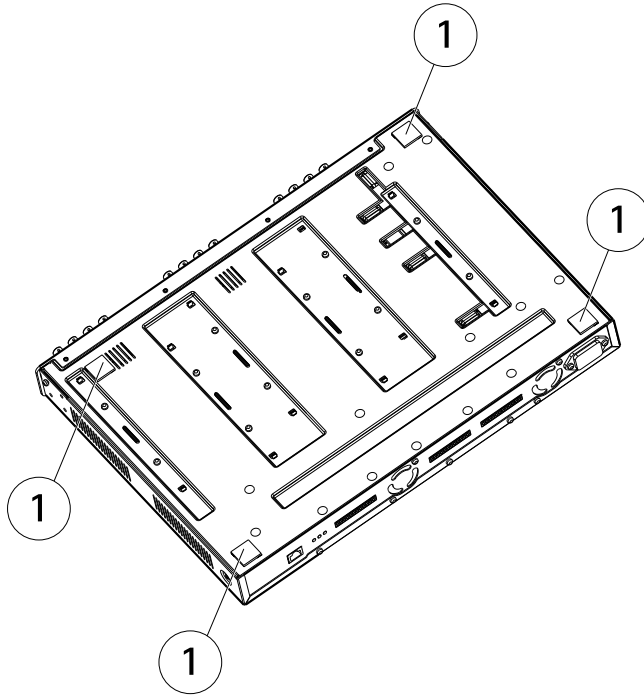
1. *Place on a Flat Surface*  
or  
*Install in a 19" Equipment Rack*
2. *Install Blade Video Servers*
3. *Connect I/O Terminal Connector*
4. *Connect Power*

## Place on a Flat Surface

### Note

The AXIS Video Server Rack including cables weighs up to 6 kg. Check that the surface can support this weight.

1. Attach the four rubber feet on the bottom of the unit.
2. Place the unit on a flat surface, for example a shelf or a table.



1 Rubber feet

## Install in a 19" Equipment Rack

### **NOTICE**

- The mounting brackets are not designed to support more than one unit, never stack other units directly on top.
- Each unit in the rack must be secured with appropriate brackets.
- Place the heaviest units at the bottom of the rack.

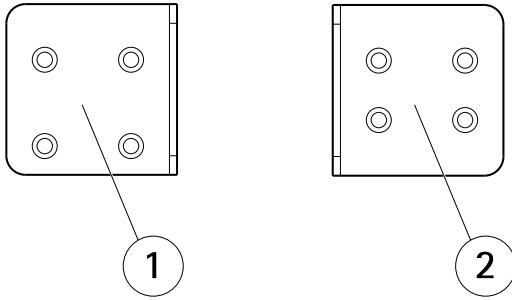
### Requirements:

- Pozidriv screwdriver #1
- Pozidriv screwdriver #3
- The rack must be braced and bolted to the floor.
- The AXIS Video Server Rack must be grounded to the same ground as the equipment rack.

### Attach the Brackets

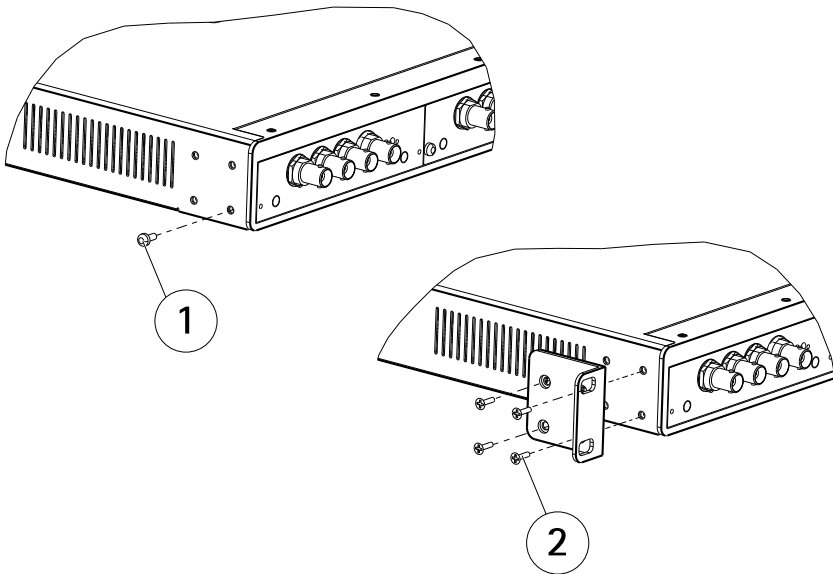
# AXIS 291 1U Video Server Rack

1. Identify the left side mounting bracket and the right side mounting bracket by the label on each bracket.



- 1 *Left side mounting bracket*
- 2 *Right side mounting bracket*

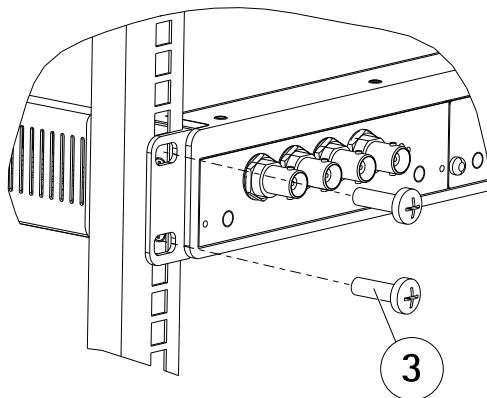
2. Remove and discard the screw from each side of the unit.
3. Using the recessed screws, fasten the left side mounting bracket and the right side mounting bracket to the sides of the unit. Do not use the screw that was removed in step 1.



- 1 *Screw*

2 Recessed screws (M3x8)

- Slide the AXIS Video Server Rack into the equipment rack and attach the screws.



3 Screws (M6x20)

## Install Blade Video Servers

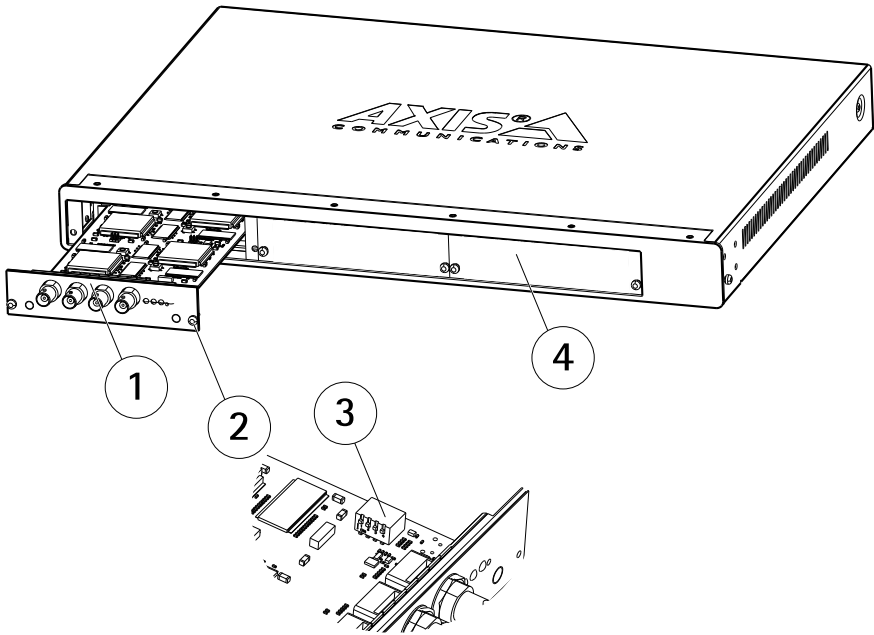
The AXIS Video Server Rack can accommodate three Axis blade video servers. The slots for these are numbered 1-3 from left to right, as seen from the front. The I/O connectors for each slot on the rear panel are also numbered.

### **NOTICE**

Leaving an empty slot on the AXIS Video Server Rack open is not permitted. Front panel covers must be used on all empty slots.

- Remove a front panel cover from the slot in which the video server will be mounted. This is done by loosening the screw on each side of the cover.
- Use the guides as an aid to slide the video server into place. The dip switch for setting the line termination should be visible on the top edge.
- Use the screws from the front panel cover to attach the video server.

# AXIS 291 1U Video Server Rack



- 1 Blade video server
- 2 Screw
- 3 Dip switch
- 4 Front panel cover

## Connect I/O Terminal Connector

For compatible replacement connectors, contact <http://www.phoenixcontact.com>, quoting: MC1.5/12-ST-3.81 (art no 1803675).

To connect input/output devices to the I/O terminal connector, do the following:

Depending on which blade is used in the installation, see *page 10* or *page 11*.

1. Referring to the tables above, loosen the corresponding screw on top of the pin on the green connector block.
2. Push the cable into the connector block and secure it by fastening the screw.
3. Once all devices are connected, push the connector block into the terminal connector on the rear panel of the video server rack.



## Connect Power

### **NOTICE**

- To prevent the risk of electrical shock when in contact with the unit casing, only earthed/grounded power cords should be used to power the AXIS Video Server Rack.
- Protection against overcurrent, short circuits and earth faults should be provided in the building installation.
- The AXIS Video Server Rack is intended for indoor use only, and only for TN and IT power systems.
- If a foreign object is accidentally dropped into the Video Server Rack, always disconnect power before attempting to remove the object.

The AXIS Video Server Rack has no On/Off switch or button and will power up as soon as the power cord is connected. Detaching the cord is the only way to remove power, so it is important to locate the unit so that the power cord is easily accessible. Please ensure that the correct AC power cord for your country is used, see *page 9*.

## Further Information

Visit Axis learning center [www.axis.com/academy](http://www.axis.com/academy) for useful trainings, webinars, tutorials and guides.

## Warranty Information

For information about Axis' product warranty and thereto related information, see [www.axis.com/warranty/](http://www.axis.com/warranty/)



## Informations sur la sécurité

Lisez attentivement ce guide d'installation avant d'installer l'appareil. Conservez le guide d'installation pour toute référence ultérieure.

### Niveaux de risques

**▲DANGER**

Indique une situation dangereuse qui, si elle n'est pas évitée, entraînera le décès ou des blessures graves.

**▲AVERTISSEMENT**

Indique une situation dangereuse qui, si elle n'est pas évitée, pourrait entraîner le décès ou des blessures graves.

**▲ATTENTION**

Indique une situation dangereuse qui, si elle n'est pas évitée, pourrait entraîner des blessures légères ou modérées.

**AVIS**

Indique une situation qui, si elle n'est pas évitée, pourrait endommager l'appareil.

### Autres niveaux de message

**Important**

Indique les informations importantes, nécessaires pour assurer le bon fonctionnement de l'appareil.

**Note**

Indique les informations utiles qui permettront d'obtenir le fonctionnement optimal de l'appareil.

## Consignes de sécurité

### **▲AVERTISSEMENT**

- Le produit Axis doit être installé par un professionnel habilité.

### **AVIS**

- Le produit Axis doit être utilisé conformément aux lois et réglementations locales en vigueur.
- Pour pouvoir utiliser le produit Axis à l'extérieur, ou dans des environnements similaires, il doit être installé dans un boîtier d'extérieur homologué.
- Conserver ce produit Axis dans un environnement sec et ventilé.
- Ne pas exposer ce produit Axis aux chocs ou aux fortes pressions.
- Ne pas installer ce produit sur des supports, surfaces ou murs instables.
- Utiliser uniquement des outils recommandés pour l'installation de l'appareil Axis. L'application d'une force excessive sur l'appareil avec des outils puissants pourrait l'endommager.
- Utiliser uniquement des accessoires conformes aux caractéristiques techniques du produit. Ils peuvent être fournis par Axis ou un tiers.
- Utiliser uniquement les pièces de rechange fournies ou recommandées par Axis.
- Ne pas essayer de réparer ce produit par vous-même. Contacter l'assistance technique d'Axis ou votre revendeur Axis pour des problèmes liés à l'entretien.

## Transport

### **AVIS**

- Lors du transport du produit Axis, utilisez l'emballage d'origine ou un équivalent pour éviter d'endommager le produit.

## Guide d'installation

Ce guide d'installation fournit des instructions d'installation pour le rack de serveur vidéo AXIS 291 1U qui peut accueillir jusqu'à 3 serveurs vidéo à lames Axis. Pour savoir comment installer le serveur vidéo Axis sur le réseau, veuillez vous reporter au guide d'installation du serveur sur [www.axis.com](http://www.axis.com).

## Procédures d'installation

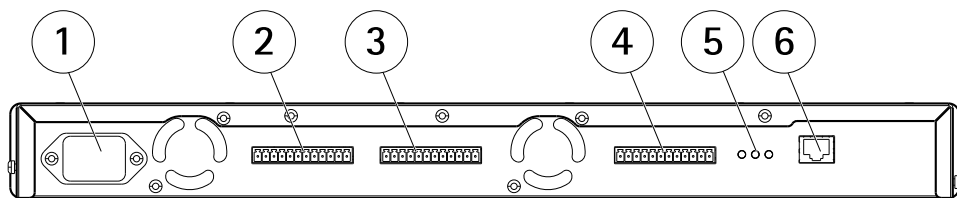
1. Assurez-vous que les outils et autres matériels nécessaires à l'installation sont inclus dans l'emballage. Cf. *page 21*.
2. Consultez la description du matériel. Cf. *page 22*.
3. Étudiez les caractéristiques. Cf. *page 9*.
4. Installez le matériel. Cf. *page 27*.

## Contenu de l'emballage

- Rack de serveur vidéo AXIS 291 1U
- Couvercle de panneau avant 1U (x2)
- Cordon d'alimentation CA, voir *page 24*
- Kit de montage
  - Pieds en caoutchouc (x4) pour une installation sur surface plane
  - Support de fixation (gauche)
  - Support de fixation (droit)
  - Vis M3x8 pour fixation des supports latéraux
  - Vis M6x20 pour fixation du rack de serveur vidéo AXIS dans le rack de l'équipement
  - Bloc connecteur pour terminaux 12 broches, vert
- Documents imprimés
  - Guide d'installation (ce document)

# AXIS 291 1U Video Server Rack

## Aperçu du matériel



- 1 Connecteur d'alimentation
- 2 Connecteur pour terminaux d'E/S 3
- 3 Connecteur pour terminaux d'E/S 2
- 4 Connecteur pour terminaux d'E/S 1
- 5 Voyants alimentation et réseau
- 6 Connecteur réseau

## Voyants

Voyant 10/100	Indication
Rouge	Clignote en cas de connexion à un réseau de 10 Mbit/s.
Vert	Clignote en cas de connexion à un réseau de 100 Mbit/s.

Voyant 1000	Indication
Vert	Clignote en cas de connexion à un réseau de 1 Gbit/s.

Voyant d'alimentation	Indication
Vert	Fonctionnement normal.

## Connecteurs et boutons

Pour les caractéristiques et les conditions d'utilisation, consultez *page 23*.

### Connecteur réseau

Connecteur Ethernet RJ45.

## Connecteur d'E/S

Utilisez-le avec des périphériques externes associés aux applications telles que les alarmes de détérioration, la détection de mouvement, le déclenchement d'événements, l'enregistrement à intervalles et les notifications d'alarme. En plus du point de référence 0 V CC et de l'alimentation (sortie CC), le connecteur d'E/S fournit une interface aux éléments suivants :

- **Sortie numérique** – Permet de connecter des dispositifs externes, comme des relais ou des voyants. Les appareils connectés peuvent être activés par l'interface de programmation VAPIX®, des boutons de sortie sur la page Live View (Vidéo en direct) ou par une règle d'action. La sortie est considérée comme étant active (comme indiqué dans **System Options > Ports & Devices (Options du système > Ports et dispositifs)**) si le dispositif d'alarme est activé.
- **Entrée numérique** – Entrée d'alarme utilisée pour connecter des dispositifs pouvant passer d'un circuit ouvert à un circuit fermé, par exemple : détecteurs infrarouge passifs, contacts de porte/fenêtre, détecteurs de bris de verre, etc. À la réception d'un signal, l'état change et l'entrée s'active (sous **System Options > Ports & Devices (Options du système > Ports et dispositifs)**).

## Connecteur RS485/RS422

Deux blocs terminaux à 2 broches pour l'interface série RS485/RS422 utilisée pour commander les équipements auxiliaires, tels que les dispositifs panoramique/inclinaison.

## Caractéristiques techniques

### Conditions d'utilisation

Le produit Axis est uniquement destiné à une utilisation en intérieur.

Produit	Température	Humidité
AXIS 291 1U	0 °C à 45 °C (32 °F à 113 °F)	Humidité relative de 20 à 80 % (sans condensation)

### Caractéristiques d'alimentation

#### **AVIS**

Utilisez une source d'alimentation limitée (LPS) dont la puissance de sortie nominale est limitée à  $\leq 100$  W ou dont le courant de sortie nominal est limité à  $\leq 5$  A.

# AXIS 291 1U Video Server Rack

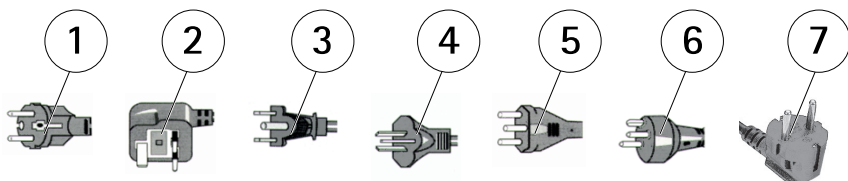
Produit	Tension d'entrée	Courant d'entrée	Consommation électrique
AXIS 291 1U	100-240 V CA 50-60 Hz	1,9 A	Avec 3 AXIS 243Q : max. 80 W

## Connecteurs

### Connecteur d'alimentation

Connecteur CA pour l'alimentation.

Variantes de fiche de cordon d'alimentation :



- 1 Europe
- 2 Royaume-Uni
- 3 États-Unis, Canada, Japon
- 4 Australie
- 5 Suisse
- 6 Danemark
- 7 Corée du Sud

### Affectation des broches du connecteur d'E/S - Lames AXIS P72

Broche	Fonction	Description
1	Sortie +12 V, 100 mA	
2	Terre	



3	Configuration d'E/S 1	Entrée numérique : connectez-la à la terre pour l'activer ou laissez-la flotter (ou déconnectée) pour la désactiver.  Sortie numérique : utilise un transistor NFET à drain ouvert avec la source connectée à la terre. En cas d'utilisation avec un relais externe, une diode doit être connectée en parallèle avec la charge, pour assurer la protection contre les tensions transitoires.	Entrée minimale = 0 V CC Entrée maximale = + 40 V CC Charge maximale = 100 mA Tension maximale = + 40 V CC
4	Configuration d'E/S 2		
5	Configuration d'E/S 3		
6	Configuration d'E/S 4		
7-10		Non utilisé	
11	RS485A	Interface RS485 semi-duplex permettant de contrôler un équipement auxiliaire, par exemple des appareils PTZ.	
12	RS485B		

## Affectation des broches du connecteur d'E/S - Lame AXIS Q7414

Broche	Fonction	Description
1	Sortie +12 V, 100 mA	
2	Terre	
3	Canal 1, entrée/sortie configurable 1	Entrée numérique : connectez-la à la terre pour l'activer ou laissez-la flotter (ou déconnectée) pour la désactiver. Sortie numérique : utilise un transistor NFET à drain ouvert avec la source connectée à la terre. En cas d'utilisation avec un relais externe, une diode doit être connectée en parallèle avec la charge, pour assurer la protection contre les tensions transitoires.
4	Canal 2, entrée/sortie configurable 1	
5	Canal 3, entrée/sortie configurable 1	
6	Canal 4, entrée/sortie configurable 1	
7	Canal 1, entrée/sortie configurable 2	
8	Canal 2, entrée/sortie configurable 2	
9	Canal 3, entrée/sortie configurable 2	

## AXIS 291 1U Video Server Rack

10	Canal 4, entrée/sortie configurable 2	
11	RS485A	Interface RS485 semi-duplex permettant de contrôler un équipement auxiliaire, par exemple des appareils PTZ.
12	RS485B	

### Affectation des broches du connecteur d'E/S – Lames AXIS Q7406 et AXIS Q7436

Broche	Fonction	Description			
1	Sortie +12 V, 100 mA				
2	Terre				
3	Canal 1, entrée/sortie configurable 1	<p>Entrée numérique : connectez-la à la terre pour l'activer ou laissez-la flotter (ou déconnectée) pour la désactiver.</p> <p>Sortie numérique : utilise un transistor NFET à drain ouvert avec la source connectée à la terre. En cas d'utilisation avec un relais externe, une diode doit être connectée en parallèle avec la charge, pour assurer la protection contre les tensions transitoires.</p>	<p>Entrée min. = -40 V CC            Entrée max. = +40 V CC            Charge maximale = 100 mA            Tension maximale = +40 V CC            (vers le transistor)</p>		
4	Canal 2, entrée/sortie configurable 1				
5	Canal 3, entrée/sortie configurable 1				
6	Canal 4, entrée/sortie configurable 1				
7	Canal 5, entrée/sortie configurable 1				
8	Canal 6, entrée/sortie configurable 1				
9	Canal 1, entrée/sortie configurable 2				
10	Canal 2, entrée/sortie configurable 2				
11	RS485A			Interface RS485 semi-duplex permettant de contrôler un équipement auxiliaire, par exemple des appareils PTZ.	
12	RS485B				

## Installation du matériel

### AVIS

Le rack de serveur vidéo AXIS est conçu pour accueillir des serveurs vidéo à lames Axis uniquement.

Le rack de serveur vidéo AXIS 291 1U doit être installé à un emplacement répondant aux critères suivants :

- Source d'alimentation à moins de 1,80 mètre.
- Pour assurer une ventilation suffisante, 50 mm d'espace libre de chaque côté
- Pas de poussière excessive

Procédez à l'installation du matériel dans l'ordre suivant :

1. *Placement sur une surface plane*  
ou  
*Installation dans un rack 19 pouces*
2. *Installation de serveurs vidéo à lames*
3. *Branchement du connecteur pour terminaux d'E/S*
4. *Branchement de l'alimentation*

## Placement sur une surface plane

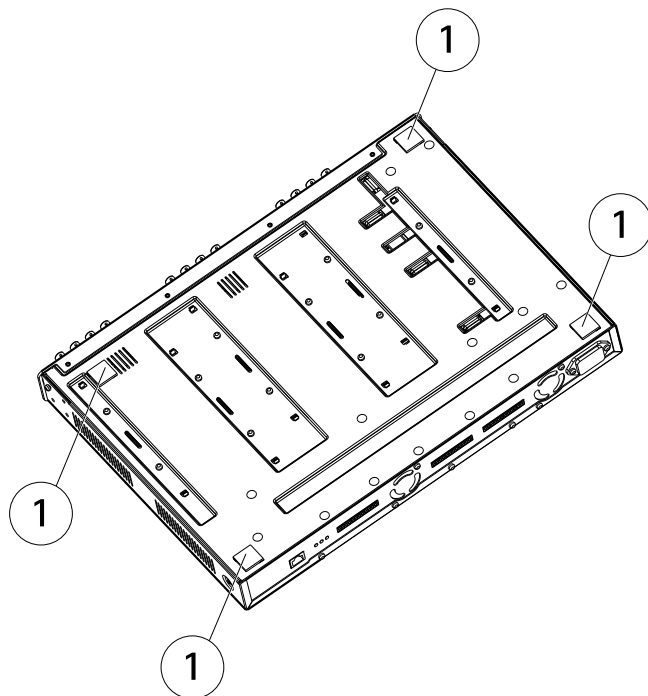
### Note

Le rack de serveur vidéo AXIS peut peser jusqu'à 6 kg, câbles compris. Assurez-vous que la surface soit suffisamment solide pour supporter ce poids.

1. Fixez les quatre pieds en caoutchouc sur la partie inférieure de l'appareil.
2. Placez l'appareil sur une surface plane, par exemple une étagère ou une table.

# AXIS 291 1U Video Server Rack

---



1 Pied en caoutchouc

## Installation dans un rack 19 pouces

### **AVIS**

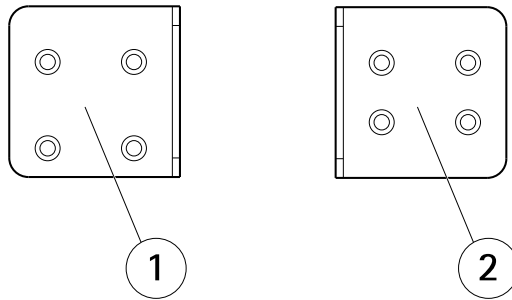
- Les supports de fixation ne sont pas prévus pour supporter plusieurs appareils. N'empilez jamais plusieurs appareils.
- Chaque appareil du rack doit être fixé avec des supports adéquats.
- Placez les appareils les plus lourds en bas du rack.

### Exigences :

- Tournevis Pozidriv n° 1
- Tournevis Pozidriv n° 3
- Le rack doit être consolidé par des renforts et être boulonné au sol.
- Le rack de serveur vidéo AXIS doit être mis à la même terre que le rack de l'équipement.

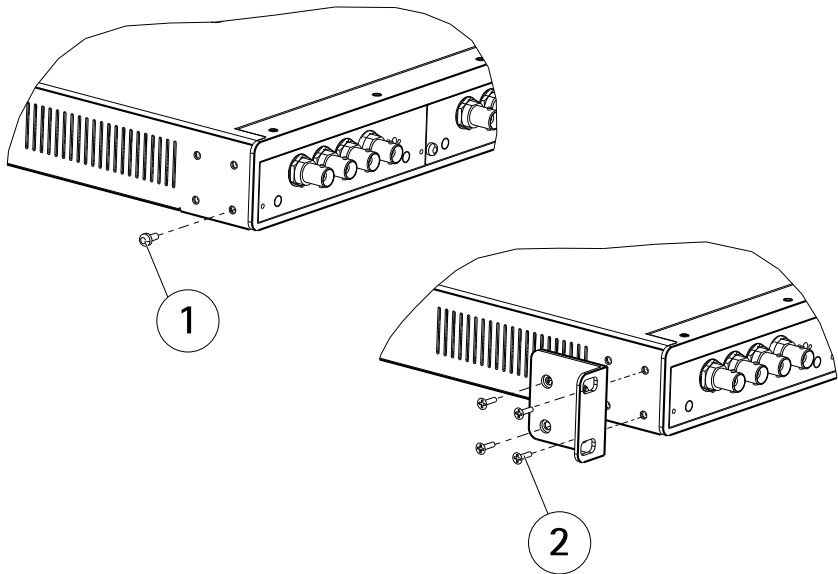
### Fixation des supports

1. Repérez les supports droit et gauche à l'aide de leurs étiquettes.



- 1 Support de fixation gauche
- 2 Support de fixation droit

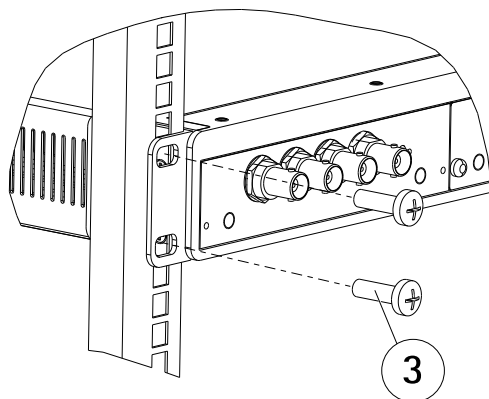
2. Retirez la vis de chaque côté de l'appareil.
3. En utilisant les vis encastrées, fixez les supports de fixation gauche et droit sur les côtés de l'appareil. N'utilisez pas la vis retirée à l'étape 1.



- 1 Vis
- 2 Vis encastrées (M3x8)

## AXIS 291 1U Video Server Rack

4. Faites glisser le rack de serveur vidéo AXIS dans le rack de l'équipement et fixez-le à l'aide de vis.



3 Vis (M6x20)

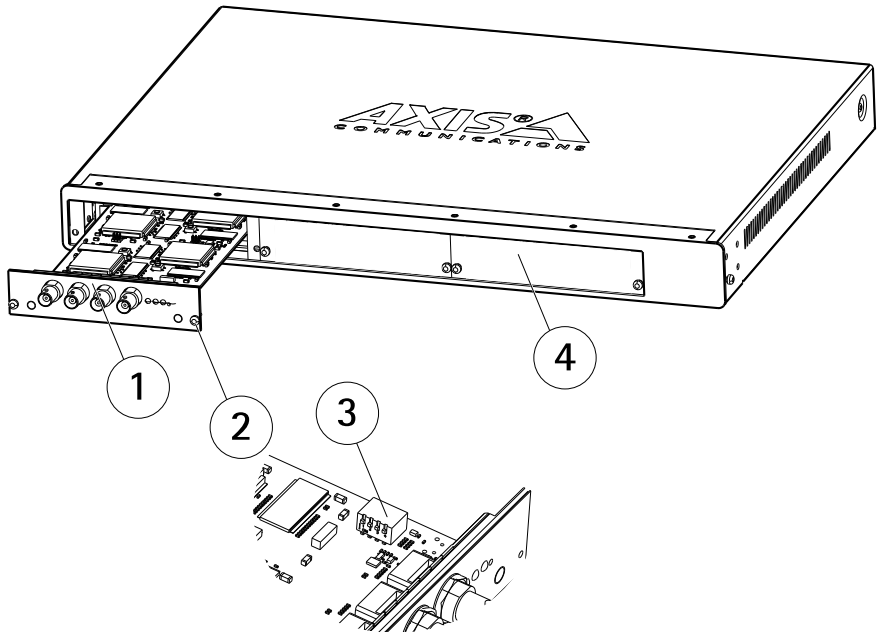
### Installation de serveurs vidéo à lames

Le rack de serveur vidéo AXIS peut accueillir trois serveurs vidéo à lames Axis. Les logements des encodeurs sont numérotés de 1 à 3 de gauche à droite, vus de devant. Les connecteurs E/S de chaque logement sont également numérotés au dos de l'appareil.

#### **AVIS**

Aucun logement vide ne doit être laissé ouvert dans le rack de serveur vidéo AXIS. Les couvercles de panneau avant doivent être posés sur tous les logements vides.

1. Retirez le couvercle de panneau avant du logement dans lequel le serveur vidéo sera monté. Pour ce faire, dévissez la vis de chaque côté du couvercle.
2. Mettez le serveur vidéo en place, en vous aidant des guides. Le commutateur DIP de réglage de la terminaison de ligne devrait être visible sur le bord supérieur.
3. Fixez le serveur vidéo à l'aide des vis du couvercle de panneau avant.



- 1 Serveur vidéo à lames
- 2 Vis
- 3 Commutateur DIP
- 4 Couvercle de panneau avant

## Branchement du connecteur pour terminaux d'E/S

Pour connaître les connecteurs de rechange compatibles, contactez <http://www.phoenixcontact.com>, en indiquant la référence : MC1.5/ 12-ST-3.81 (art. n° 1803675).

Pour brancher des appareils d'entrée/sortie au connecteur pour terminaux d'E/S, procédez comme suit :

Selon la lame utilisée dans l'installation, consultez *page 24* ou *page 26*.

1. En vous reportant aux tableaux ci-dessus, desserrez les vis correspondantes sur le dessus de la broche du bloc connecteur vert.
2. Poussez le câble dans le bloc connecteur, puis fixez-le en resserrant la vis.
3. Une fois tous les appareils branchés, poussez le bloc connecteur dans le connecteur pour terminaux du panneau arrière du rack de serveur vidéo.

## Branchement de l'alimentation

### AVIS

- Pour éviter tout risque de choc électrique en cas de contact avec le boîtier de l'appareil, utilisez uniquement un cordon d'alimentation à la terre/masse pour le rack de serveur vidéo AXIS.
- Les installations du bâtiment doivent offrir une protection contre les surintensités, les courts-circuits et les défauts de terre.
- Le rack de serveur vidéo AXIS est destiné à être utilisé en intérieur exclusivement et uniquement pour les systèmes d'alimentation TN et IT.
- Si un corps étranger devait tomber accidentellement dans le rack de serveur vidéo, mettez toujours ce dernier hors tension avant de tenter de retirer l'objet.

Le rack de serveur vidéo AXIS ne dispose d'aucun interrupteur ou bouton d'alimentation. Il s'allume dès que le cordon d'alimentation est branché. La seule façon de l'éteindre est de débrancher le cordon. Il est donc important de placer l'unité dans un endroit où le cordon est facilement accessible. Vérifiez que vous utilisez le cordon d'alimentation CA approprié pour votre pays (cf. *page 24*).

## Pour obtenir plus de renseignements

Visitez le centre de formation en ligne Axis sur le site [www.axis.com/academy](http://www.axis.com/academy) pour en savoir plus sur les formations, les webinaires, les tutoriels et les guides.

## Informations sur la garantie

Pour obtenir de plus amples informations sur la garantie du produit AXIS et des renseignements connexes, allez sur le site [www.axis.com/warranty/](http://www.axis.com/warranty/)



## Sicherheitsinformation

Lesen Sie das Installationshandbuch sorgfältig durch bevor sie das Produkt installieren. Bewahren Sie das Installationshandbuch für zukünftige Zwecke auf.

### Gefährdungsstufen

**▲GEFAHR**

Weist auf eine gefährliche Situation hin, die, falls nicht verhindert, zu Tod oder schweren Verletzungen führt.

**▲WARNUNG**

Weist auf eine gefährliche Situation hin, welche, falls nicht verhindert, zu Tod oder schweren Verletzungen führen kann.

**▲VORSICHT**

Weist auf eine gefährliche Situation hin, welche, falls nicht verhindert, zu geringfügiger oder mäßiger Verletzung führen kann.

**HINWEIS**

Weist auf eine gefährliche Situation hin, welche, falls nicht verhindert, zu Sachschäden führen kann.

### Weitere Nachrichtenstufen

**Wichtig**

Weist auf wichtige Informationen hin, die den richtigen Betrieb des Produkts gewährleisten.

**Beachten**

Weist auf nützliche Informationen hin, die die optimale Verwendung des Produkts unterstützen.

## Sicherheitsanweisungen

### **▲WARNUNG**

- Das Axis Produkt muss von fachmännischem Personal installiert werden.

### **HINWEIS**

- Die Anwendung des Axis Produkts muss unter Beachtung der örtlich geltenden rechtlichen Bestimmungen erfolgen.
- Bei der Anwendung von Axis Produkten im Außenbereich oder ähnlichen Umgebungen, müssen diese in zugelassenen Außengehäusen installiert werden.
- Lagern Sie das Axis Produkt in einer trockenen und belüfteten Umgebung.
- Achten Sie darauf, dass das Axis Produkt weder Stößen noch starkem Druck ausgesetzt ist.
- Installieren Sie das Produkt nicht an instabilen Halterungen, Oberflächen oder Wänden.
- Verwenden Sie bei der Installation des Axis Produkts ausschließlich passende Werkzeuge. Ein zu großer Kraftaufwand mit elektrischen Werkzeugen kann das Produkt beschädigen.
- Verwenden Sie nur Zubehör, das den technischen Daten des Produkts entspricht. Dieses ist von Axis oder Drittanbietern erhältlich.
- Verwenden Sie ausschließlich Ersatzteile die von Axis bereitgestellt oder empfohlen werden.
- Versuchen Sie nicht, das Produkt selbstständig zu reparieren. Wenden Sie sich bezüglich Reparatur und Wartung an den Axis Support oder Ihren Axis Händler.

## Transport

### **HINWEIS**

- Bei Bedarf transportieren Sie das Axis Produkt in der Originalverpackung oder einer entsprechenden Verpackung, so dass Schäden vermieden werden.

## Installationsanleitung

In dieser Anleitung wird die Installation des AXIS 291 1U-Video-server-Racks zur Aufnahme von bis zu drei Axis Blade-Video-servern beschrieben. Informationen zur Installation des Axis Video-servers im Netzwerk entnehmen Sie bitte der Installationsanleitung des Video-servers unter [www.axis.com](http://www.axis.com).

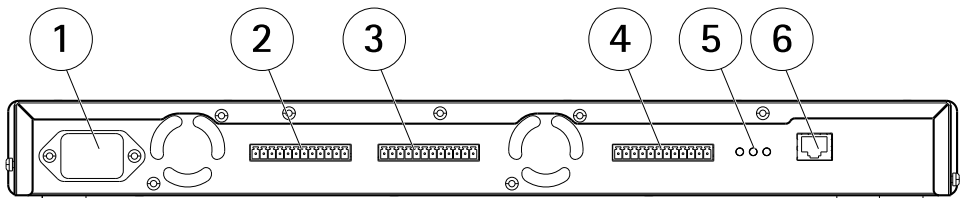
## Installationsschritte

1. Stellen Sie sicher, dass die Packungsinhalte, Werkzeuge und andere notwendige Materialien für die Installation in Ordnung sind. Siehe *Seite 35*.
2. Machen Sie sich mit der Hardware-Übersicht vertraut. Siehe *Seite 35*.
3. Machen Sie sich mit den technischen Daten vertraut. Siehe *Seite 37*.
4. Installieren Sie die Hardware. Siehe *Seite 40*.

## Lieferumfang

- AXIS 291 1U-Video-server-Rack
- Frontabdeckung 1U (x2)
- Netzkabel, siehe *Seite 37*.
- Montageset
  - GummifüÙe (x4) zur Aufstellung auf glatten Flächen
  - Montagehalterung (links)
  - Montagehalterung (rechts)
  - M3x8-Schrauben zur Befestigung der seitlichen Halterungen
  - M6x20-Schrauben zur Montage des AXIS Video-server-Racks im Geräte-rack
  - Klemmanschlussblock, 12-polig, grün
- Gedruckte Dokumente
  - Installationsanleitung (dieses Dokument)

## Übersicht über die Hardware



1 Netzanschluss

# AXIS 291 1U Video Server Rack

---

- 2 E/A-Klemmanschluss 3
- 3 E/A-Klemmanschluss 2
- 4 E/A-Klemmanschluss 1
- 5 LEDs (Stromversorgung und Netzwerk)
- 6 Netzwerkanschluss

## LEDs

10/100-LED	Bedeutung
Rot	Blinkt bei Verbindung mit einem 10 MBit/s-Netzwerk.
Grün	Blinkt bei Verbindung mit einem 100 MBit/s-Netzwerk.

1000-LED	Bedeutung
Grün	Blinkt bei Verbindung mit einem 1 GBit/s-Netzwerk.

Netz-LED	Bedeutung
Grün	Normaler Betrieb.

## Anschlüsse und Tasten

Für die technischen Daten und Betriebsbedingungen siehe *Seite 37*.

### Netzwerkanschluss

RJ-45-Ethernetanschluss.

### E/A-Anschluss

Zur Verwendung mit externen Geräten wie zum Beispiel in Verbindung mit Manipulationsalarmen, Bewegungserkennung, Ereignisauslösung, Zeitrafferaufnahmen und Alarmbenachrichtigungen. Abgesehen vom 0 V DC-Bezugspunkt und Strom (Gleichstromausgang) verfügt die E/A-Klemmenleiste über eine Schnittstelle zu:

- **Digitalausgang** – zum Anschluss externer Geräte wie Relais und LEDs. Angeschlossene Geräte können über die VAPIX® Application Programming Interface (Programmierschnittstelle) mit den Schaltflächen für den Ausgang auf der Seite „Live View“ oder durch eine Aktionsregel aktiviert werden. Der Ausgang wird als aktiv (siehe **System Options > Ports & Devices** (Systemoptionen > Anschlüsse & Geräte)) angezeigt, wenn das Alarmmeldegerät aktiviert ist.
- **Digitaleingang** – Alarmeingang für den Anschluss von Geräten, die zwischen geöffnetem und geschlossenem Schaltkreis wechseln können, z. B.: PIR-Sensoren,

Tür-/Fensterkontakte, Glasbruchmelder usw. Bei Empfang eines Signals ändert sich der Status und der Eingang wird aktiviert (siehe System Options > Ports & Devices (Systemoptionen > Anschlüsse & Geräte)).

## RS485-/RS422-Anschluss

Zwei 2-polige Anschlussblöcke für serielle Schnittstellen vom Typ RS-485/RS-422 zur Steuerung von Zusatzgeräten, beispielsweise zum Schwenken und Neigen.

## Technische Daten

### Betriebsbedingungen

Das Axis Produkt ist für die Verwendung in Innenräumen konzipiert.

Produkt	Temperatur	Luftfeuchtigkeit
AXIS 291 1U	0 °C bis 45 °C	Relative Luftfeuchtigkeit 20 bis 80 % (nicht kondensierend)

### Technische Daten – Stromversorgung

#### **HINWEIS**

Verwenden Sie eine Stromquelle mit begrenzter Leistung (LPS), entweder mit einer Nennausgangsleistung von  $\leq 100$  W oder einem dauerhaft auf  $\leq 5$  A begrenzten Nennausgangsstrom.

Produkt	Eingangsspannung	Eingangsstrom	Stromverbrauch
AXIS 291 1U	100 bis 240 V AC 50 bis 60 Hz	1,9 A	Mit 3 AXIS 243Q: max. 80 W

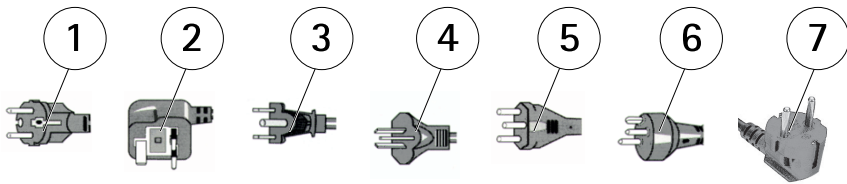
## Anschlüsse

### Netzanschluss

Wechselstromanschluss für Stromeingang.

Netzsteckervarianten:

# AXIS 291 1U Video Server Rack



- 1 *Europa*
- 2 *Großbritannien*
- 3 *USA, Kanada, Japan*
- 4 *Australien*
- 5 *Schweiz*
- 6 *Dänemark*
- 7 *Südkorea*

## Kontaktbelegungen für E/A-Anschluss – AXIS P72-Blades

Kontakt	Funktion	Beschreibung	
1	+12 V Ausgang, 100 mA		
2	Masse (GND)		
3	E/A 1, konfigurierbar	Digitaleingang: Zum Aktivieren mit dem Massekontakt (GND) verbinden; zum Deaktivieren nicht anschließen. Digitalausgang: Verwendet einen Open-Drain-NFET-Transistor, wobei die Quelle mit der Masse (GND) verbunden ist. Zum Schutz vor Spannungsspitzen muss bei der Kombination mit einem externen Relais eine Diode parallel zur Last geschaltet werden.	Min. Eingang = 0 V Gleichstrom Max. Eingang = +40 V Gleichstrom Max. Belastung = 100 mA Max. Spannung = +40 V Gleichstrom
4	E/A 2, konfigurierbar		
5	E/A 3, konfigurierbar		
6	E/A 4, konfigurierbar		
7-10		Nicht verwendet	
11	RS485A	Halbduplex-RS485-Schnittstelle zur Steuerung von Zusatzgeräten, z. B. PTZ-Geräten.	
12	RS485B		

## Kontaktbelegungen für E/A-Anschluss – AXIS Q7414-Blade

Kontakt	Funktion	Beschreibung			
1	+12-V-Ausgang, 100 mA				
2	Masse (GND)				
3	Kanal 1, E/A 1 (konfigurierbar)	Digitaleingang: Zum Aktivieren mit dem Massekontakt (GND) verbinden; zum Deaktivieren nicht anschließen. Digitalausgang: Verwendet einen Open-Drain-NFET-Transistor, wobei die Quelle mit der Masse (GND) verbunden ist. Zum Schutz vor Spannungsspitzen muss bei der Kombination mit einem externen Relais eine Diode parallel zur Last geschaltet werden.	Min. Eingang = -40-V-Gleichstrom Max. Eingang = +40-V-Gleichstrom Max. Belastung = 100 mA Max. Spannung = +40-V-Gleichstrom (am Transistor)		
4	Kanal 2, E/A 1 (konfigurierbar)				
5	Kanal 3, E/A 1 (konfigurierbar)				
6	Kanal 4, E/A 1 (konfigurierbar)				
7	Kanal 1, E/A 2 (konfigurierbar)				
8	Kanal 2, E/A 2 (konfigurierbar)				
9	Kanal 3, E/A 2 (konfigurierbar)				
10	Kanal 4, E/A 2 (konfigurierbar)				
11	RS485A			Halbduplex-RS485-Schnittstelle zur Steuerung von Zusatzgeräten, z. B. PTZ-Geräten.	
12	RS485B				

DEUTSCH

## Kontaktbelegungen für E/A-Anschluss – AXIS Q7406- und AXIS Q7436-Blades

Kontakt	Funktion	Beschreibung
1	+12-V-Ausgang, 100 mA	
2	Masse (GND)	

# AXIS 291 1U Video Server Rack

3	Kanal 1, E/A 1 (konfigurierbar)	Digitaleingang - Zum Aktivieren mit dem Massekontakt verbinden; zum Deaktivieren nicht anschließen. Digitalausgang: Verwendet einen Open-Drain-NFET-Transistor, wobei die Quelle mit der Masse verbunden ist. Zum Schutz vor Spannungsspitzen muss bei der Kombination mit einem externen Relais eine Diode parallel zur Last geschaltet werden.	Min. Eingang = - 40-V-Gleichstrom Max. Eingang = + 40-V-Gleichstrom Max. Belastung = 100 mA Max. Spannung = + 40-V-Gleichstrom (am Transistor)
4	Kanal 2, E/A 1 (konfigurierbar)		
5	Kanal 3, E/A 1 (konfigurierbar)		
6	Kanal 4, E/A 1 (konfigurierbar)		
7	Kanal 5, E/A 1 (konfigurierbar)		
8	Kanal 6, E/A 1 (konfigurierbar)		
9	Kanal 1, E/A 2 (konfigurierbar)		
10	Kanal 2, E/A 2 (konfigurierbar)		
11	RS485A	Halbduplex-RS485-Schnittstelle zur Steuerung von Zusatzgeräten, z. B. PTZ-Geräten.	
12	RS485B		

## Installieren der Hardware

### HINWEIS

Das AXIS 291 Videoserver-Rack ist ausschließlich für Axis Blade-Videoserver vorgesehen.

Der Aufstellungsort des AXIS 291 1U-Videoserver-Racks muss die folgenden Anforderungen erfüllen:

- Stromquelle innerhalb von 1,8 m
- Mindestens 50 mm Seitenabstand zur Gewährleistung der erforderlichen Luftzirkulation
- Kein übermäßiger Staub

Führen Sie die Hardwareinstallation in folgender Reihenfolge durch:

1. *Aufstellen auf einer glatten Fläche  
oder  
Einbau in ein 19"-Geräterack*
2. *Installieren von Blade-Videoservern*



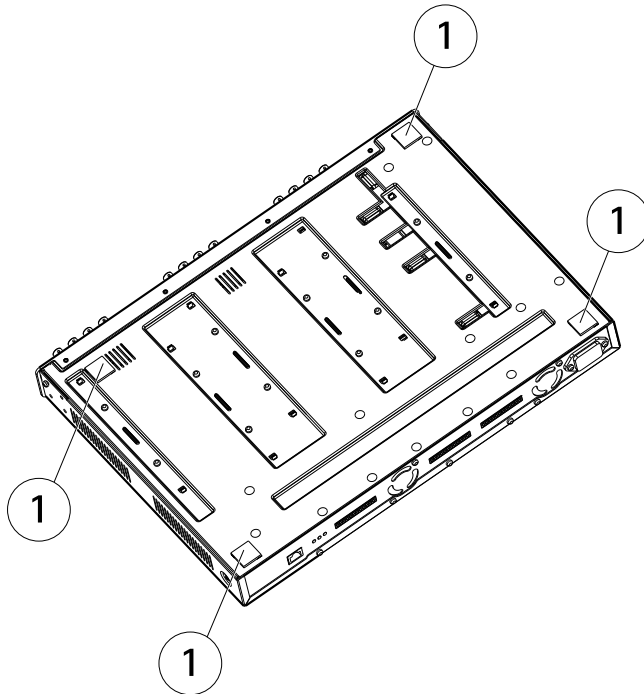
3. Anschließen des E/A-Klemmanschlusses
4. Stromversorgung

## Aufstellen auf einer glatten Fläche

### Beachten

Das AXIS Videosever-Rack wiegt einschließlich Kabeln bis zu 6 kg. Vergewissern Sie sich, dass die Oberfläche stabil genug ist.

1. Bringen Sie die GummifüÙe an der Unterseite des Gehäuses an.
2. Stellen Sie das Gerät auf einer glatten Fläche auf, z. B. einem Regal oder Tisch.



1 GummifüÙe

## Einbau in ein 19"-Geräterack

### HINWEIS

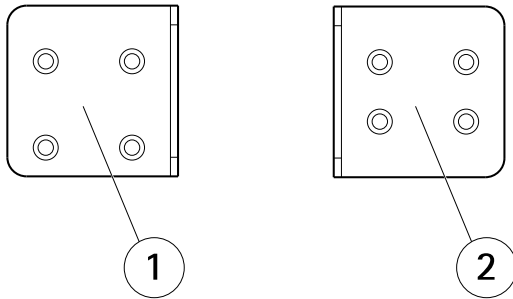
- Die Montagehalterungen sind nur für ein Gerät ausgelegt. Stapeln Sie Geräte keinesfalls übereinander.
- Jedes Gerät im Rack muss mit entsprechenden Halterungen gesichert werden.
- Positionieren Sie das schwerste Gerät im Rack zuunterst.

### Erforderlich:

- Pozidriv-Schraubenzieher Nr. 1
- Pozidriv-Schraubenzieher Nr. 3
- Das Rack muss im Boden verankert und verschraubt werden.
- Das AXIS Videoserver-Rack muss gegen dieselbe Masse wie das Geräterack geerdet werden.

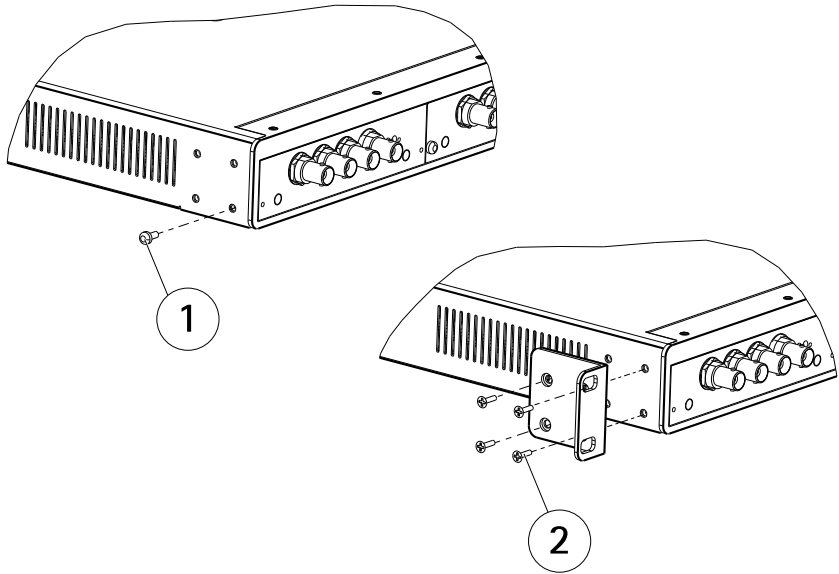
### Anbringen der Halterungen

1. Die rechte und die linke Montagehalterung lassen sich anhand des jeweiligen Aufklebers auseinanderhalten.



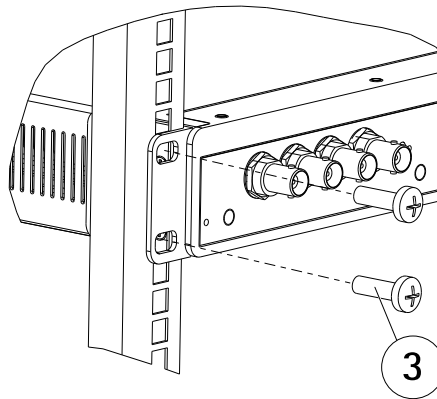
- 1 Linke Montagehalterung
- 2 Rechte Montagehalterung

2. Entfernen und entsorgen Sie die Schraube (auf beiden Geräteseiten).
3. Bringen Sie die linke und rechte Montagehalterung mithilfe der Senkkopfschrauben an beiden Seiten des Geräts an. Verwenden Sie nicht die in Schritt 1 entfernte Schraube.



- 1 Schraube
- 2 Senkkopfschrauben (M3x8)

4. Schieben Sie das AXIS Videoserver-Rack in das Geräterack und bringen Sie die Schrauben an.



- 3 Schrauben (M6x20)

# AXIS 291 1U Video Server Rack

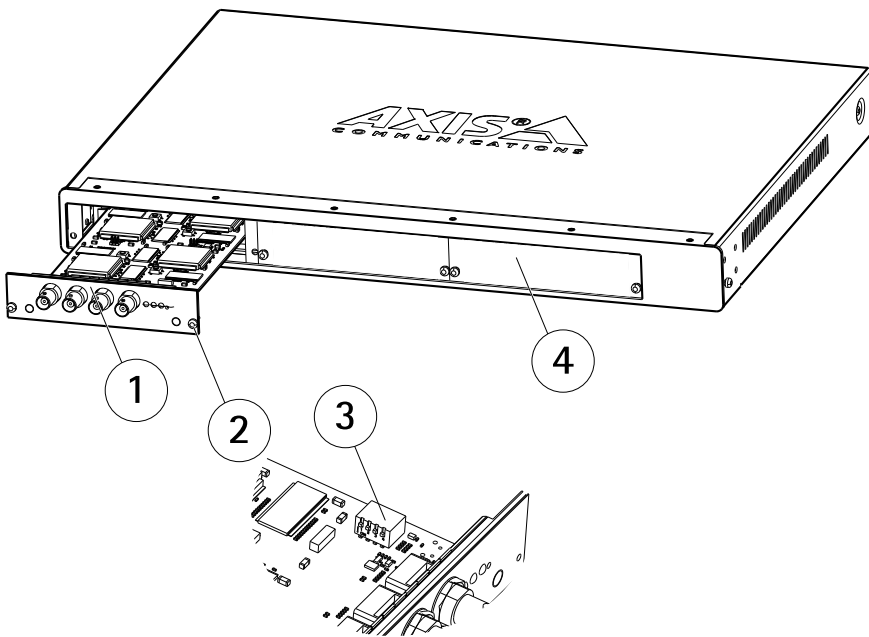
## Installieren von Blade-Videoservern

Das AXIS Videoserver-Rack kann bis zu drei Axis Blade-Videoserver aufnehmen. Die Einschübe dafür sind – von vorne betrachtet – von links nach rechts mit 1 bis 3 durchnummeriert. Die E/A-Anschlüsse für jeden Einschub an der Rückseite sind ebenfalls nummeriert.

### HINWEIS

Im AXIS Videoserver-Rack dürfen keine leeren Einschübe offen gelassen werden. Für leere Einschübe müssen die Frontabdeckungen verwendet werden.

1. Entfernen Sie die Frontabdeckung von dem Einschub, in den der Videoserver eingebaut werden soll. Lösen Sie hierzu die Schraube auf beiden Seiten der Abdeckung.
2. Schieben Sie den Videoserver über die Führungen in das Rack ein. Der DIP-Schalter zur Einstellung des Leitungsabschlusses sollte an der Oberkante sichtbar sein.
3. Bringen Sie den Videoserver mithilfe der Schrauben für die Frontabdeckung an.



- 1 Blade-Videoserver
- 2 Schraube
- 3 DIP-Schalter
- 4 Frontabdeckung

## Anschließen des E/A-Klemmanschlusses

Kompatible Ersatzanschlüsse erhalten Sie unter <http://www.phoenixcontact.com>. Suchen Sie nach: MC1.5/ 12-ST-3.81 (Art.-Nr. 1803675).

Eingabe-/Ausgabegeräte werden folgendermaßen am E/A-Klemmanschluss angeschlossen:

Siehe je nach bei der Installation verwendetem Blade *Seite 38* oder *Seite 39*.

1. Lösen Sie anhand der obigen Tabellen die entsprechende Schraube oben am Kontakt auf dem grünen Anschlussblock.
2. Führen Sie das Kabel in den Anschlussblock und ziehen Sie die Schraube an.
3. Drücken Sie nach dem Anschließen aller Geräte den Anschlussblock in den Klemmanschluss an der Rückseite des Videosever-Racks.

## Stromversorgung

### **HINWEIS**

- Um die Gefahr eines Stromschlags bei einem Kontakt mit dem Gerätegehäuse zu vermeiden, dürfen nur geerdete Netzkabel zur Stromversorgung des AXIS Videosever-Racks verwendet werden.
- Die Elektrik des Gebäudes muss mit einem Überstrom-, Kurzschluss- und Erdschlussschutz ausgestattet sein.
- Das AXIS Videosever-Rack ist nur zum Einsatz in Innenräumen und ausschließlich für TN- und IT-Systeme bestimmt.
- Sollte versehentlich ein Fremdkörper in das AXIS Videosever-Rack gelangt sein, trennen Sie immer erst die Stromversorgung, bevor Sie versuchen, den Gegenstand zu entfernen.

Das AXIS Videosever-Rack verfügt über einen Ein-/Ausschalter bzw. eine entsprechende Taste. Das Rack wird beim Anschließen des Netzkabels sofort gestartet. Die einzige Möglichkeit zum Trennen der Stromversorgung besteht darin, das Netzkabel zu entfernen. Daher muss das Gerät so aufgestellt werden, dass dieses einfach zugänglich ist. Achten Sie darauf, dass das passende Netzkabel für Ihr Land verwendet wird. Siehe *Seite 37*.

## Weitere Informationen

Besuchen Sie das Axis-Schulungszentrum [www.axis.com/academy](http://www.axis.com/academy) für anregende Schulungen, Webinare, Lernprogramme und Anleitungen.

## Gewährleistungsinformationen

Informationen zur Gewährleistung der Axis Produkte und andere, hierzu relevante Informationen, finden Sie unter [www.axis.com/warranty/](http://www.axis.com/warranty/)



## Informazioni di sicurezza

Leggere con attenzione questa guida all'installazione prima di installare il dispositivo. Conservare questo documento per usi futuri.

### Livelli di pericolo

**▲PERICOLO**

Indica una situazione pericolosa che, se non evitata, provoca morte o lesioni gravi.

**▲AVVERTENZA**

Indica una situazione pericolosa che, se non evitata, può provocare la morte o lesioni gravi.

**▲ATTENZIONE**

Indica una situazione pericolosa che, se non evitata, può provocare lesioni medie o minori.

**AWISO**

Indica una situazione che, se non evitata, può danneggiare la proprietà.

### Altri livelli di messaggio

**Importante**

Indica informazioni importanti, essenziali per il corretto funzionamento del dispositivo.

**Nota**

Indica informazioni utili che aiutano a ottenere il massimo dal dispositivo.

## Istruzioni di sicurezza

### **⚠AVVERTENZA**

- Il dispositivo Axis deve essere installato da un professionista qualificato.

### **AWISO**

- Il dispositivo Axis deve essere utilizzato in conformità alle leggi e alle disposizioni locali.
- Per utilizzare il dispositivo Axis in ambienti esterni, o in ambienti simili, deve essere installato in una custodia per esterni approvata.
- Conservare il dispositivo Axis in un ambiente asciutto e ventilato.
- Evitare di esporre il dispositivo Axis a urti o pressioni eccessive.
- Non installare il dispositivo su supporti, superfici o pareti instabili.
- Utilizzare solo strumenti applicabili quando si installa il dispositivo Axis. Se si utilizza una forza eccessiva con gli strumenti dell'alimentazione è possibile causare danni al dispositivo.
- Utilizzare solo accessori compatibili con le specifiche tecniche del dispositivo. Questi possono essere forniti da Axis o da terze parti.
- Utilizzare solo parti di ricambio fornite o consigliate da Axis.
- Non tentare di riparare il dispositivo da soli. Contattare l'assistenza o il rivenditore Axis per questioni relative alla manutenzione.

## Trasporto

### **AWISO**

- Durante il trasporto del dispositivo Axis, utilizzare l'imballaggio originale o equivalente per evitare danni al dispositivo.



## Guida all'installazione

Questa Guida all'installazione fornisce le istruzioni per l'installazione di AXIS 291 1U Video Server Rack che può contenere fino a tre codificatori video blade Axis. Per informazioni su come installare il codificatore video Axis in rete, consultare la Guida all'installazione fornita con il codificatore video in [www.axis.com](http://www.axis.com)

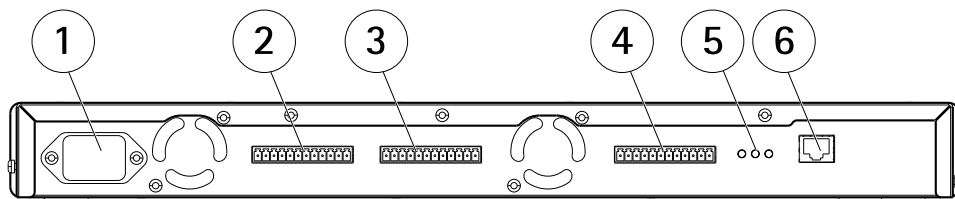
## Procedure di installazione

1. Assicurarsi che il contenuto della confezione, gli strumenti e altri materiali necessari per l'installazione siano in ordine. Consultare *pagina 49*.
2. Studiare la descrizione dell'hardware. Consultare *pagina 50*.
3. Studiare le specifiche. Consultare *pagina 51*.
4. Installazione dell'hardware. Consultare *pagina 54*.

## Contenuto della confezione

- AXIS 291 1U Video Server Rack
- Copertura per il pannello frontale 1U (x2)
- Cavo di alimentazione CA, vedere *pagina 52*
- Kit di montaggio
  - Piedini in gomma (x4) per il posizionamento su superfici piane
  - Staffa di montaggio (sinistra)
  - Staffa di montaggio (destra)
  - Viti M3x8 per il collegamento delle staffe laterali
  - Viti M6x20 per il montaggio di AXIS Video Server Rack in rack per attrezzature
  - Blocco connettore per morsetti, 12 pin, verde
- Materiali stampati
  - Guida all'installazione (questo documento)

## Panoramica dell'hardware



- 1 Connettore di alimentazione
- 2 Connettore per morsetti I/O 3
- 3 Connettore per morsetti I/O 2
- 4 Connettore per morsetti I/O 1
- 5 Indicatori LED di alimentazione e di rete
- 6 Connettore di rete

## Indicatori LED

LED 10/100	Indicazione
Rosso	Luce lampeggiante per connessione di rete a 10 Mbit/s.
Verde	Luce lampeggiante per connessione di rete a 100 Mbit/s.

LED 1000	Indicazione
Verde	Luce lampeggiante per connessione di rete a 1 Gbit/s.

LED di alimentazione	Indicazione
Verde	Normale utilizzo.

## Connettori e pulsanti

Per le specifiche e le condizioni di funzionamento, consultare *pagina 51*.

### Connettore di rete

Connettore Ethernet RJ45.

### Connettore I/O

Utilizzare con dispositivi esterni in combinazione con, ad esempio, allarmi antimanomissione, rilevazione del movimento, attivazione di eventi, registrazione temporizzata e notifiche di allarme.

Oltre al punto di riferimento 0 V CC e all'alimentazione (uscita CC), il connettore I/O fornisce l'interfaccia per:

- **Uscita digitale** – Per collegare dispositivi esterni come relè o LED. Le periferiche collegate possono essere attivate tramite VAPIX® API (interfaccia per la programmazione di applicazioni), tramite i pulsanti di comando della pagina Live View (Immagini dal vivo) oppure tramite l'opzione Action Rule (regola di azione). L'uscita verrà visualizzata come attiva (visualizzata in **Opzioni di Sistema > Porte e Dispositivi**) se il dispositivo di allarme è attivato.
- **Ingresso digitale** – Ingresso allarme utilizzabile per collegare le periferiche, che può passare dal circuito chiuso al circuito aperto, ad esempio: Sensori di movimento (PIR), contatti porta/finestra, rilevatori di rottura vetri e così via. Dopo la ricezione del segnale lo stato cambia e l'ingresso diventa attivo (visualizzato in **System Options > Ports & Devices (Opzioni di Sistema > Porte e Dispositivi)**).

## Connettore RS485/RS422

Due morsettiere per l'interfaccia seriale RS485/RS422 utilizzate per il controllo di periferiche ausiliarie come i dispositivi di rotazione/inclinazione.

## Dati tecnici

### Condizioni di funzionamento

Il dispositivo Axis è destinato per l'uso in ambienti interni.

Dispositivo	Temperatura	Umidità
AXIS 291 1U	Da 0 °C a 45 °C (da 32 °F a 113 °F)	20-80% RH (umidità relativa senza condensa)

### Specifiche di alimentazione

#### **AWISO**

Utilizzare una sorgente di alimentazione limitata (LPS) con una potenza di uscita nominale limitata a  $\leq 100$  W o una corrente nominale di uscita limitata a  $\leq 5$  A.

Dispositivo	Tensione in ingresso	Corrente in ingresso	Consumo energetico
AXIS 291 1U	100-240 V AC 50-60 Hz	1,9 A	Con 3 AXIS 243Q: max 80 W

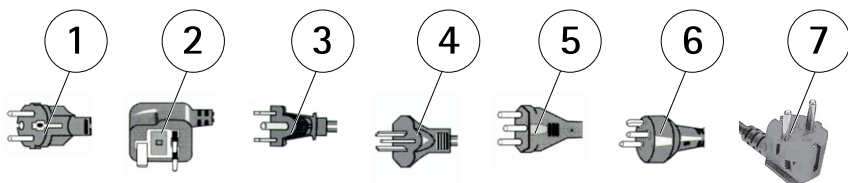
# AXIS 291 1U Video Server Rack

## Connettori

### Connettore di alimentazione

Connettore CA per ingresso alimentazione.

Modelli di spine di alimentazione:



- 1 *Europa*
- 2 *Regno Unito*
- 3 *USA, Canada, Giappone*
- 4 *Australia*
- 5 *Svizzera*
- 6 *Danimarca*
- 7 *Corea del Sud*

### Assegnazioni dei pin del connettore I/O per blade AXIS P72

Pin	Funzione	Descrizione	
1	Uscita +12 V, 100 mA		
2	GND		
3	Connettore I/O configurabile 1	Ingresso digitale: collegare a terra (GND) per attivarlo oppure lasciarlo isolato (o scollegato) per disattivarlo. Uscita digitale: utilizza un transistor NFET open-drain con sorgente con messa a terra (GND). Se utilizzato con un relè esterno, è necessario collegare un diodo in parallelo al carico per proteggere il dispositivo da ritorni di tensione.	Ingresso min = 0V CC Ingresso max = + 40V CC Carico max. = 100 mA Max. tensione applicata = + 40V CC
4	Connettore I/O configurabile 2		
5	Connettore I/O configurabile 3		
6	Connettore I/O configurabile 4		
7-10		Non utilizzato	

11	RS485A	Interfaccia RS485 half-duplex per il controllo di apparecchiature ausiliarie, come i dispositivi PTZ.
12	RS485B	

## Assegnazioni dei pin del connettore I/O per blade AXIS Q7414

Pin	Funzione	Descrizione	
1	Uscita +12 V, 100 mA		
2	GND		
3	Canale 1, I/O 1 configurabile	<p>Ingresso digitale: collegare a terra (GND) per attivarlo oppure lasciarlo isolato (o scollegato) per disattivarlo.</p> <p>Uscita digitale: utilizza un transistor NFET open-drain con sorgente con messa a terra (GND). Se utilizzato con un relé esterno, è necessario collegare un diodo in parallelo al carico per proteggere il dispositivo da ritorni di tensione.</p>	<p>Ingresso min. = - 40 V CC                      Ingresso max. = +40 V CC                      Carico max. = 100 mA                      Tensione max. = + 40 V CC (ingresso per il transistor)</p>
4	Canale 2, I/O 1 configurabile		
5	Canale 3, I/O 1 configurabile		
6	Canale 4, I/O 1 configurabile		
7	Canale 1, I/O 2 configurabile		
8	Canale 2, I/O 2 configurabile		
9	Canale 3, I/O 2 configurabile		
10	Canale 4, I/O 2 configurabile		
11	RS485A	Interfaccia RS485 half-duplex per il controllo di apparecchiature ausiliarie, come i dispositivi PTZ.	
12	RS485B		

## Assegnazioni dei pin del connettore I/O per blade AXIS Q7406 e AXIS Q7436

Pin	Funzione	Descrizione
1	Uscita +12 V, 100 mA	
2	GND	

## AXIS 291 1U Video Server Rack

3	Canale 1, I/O 1 configurabile	Ingresso digitale: collegare a terra (GND) per attivarlo oppure lasciarlo isolato (o scollegato) per disattivarlo. Uscita digitale: utilizza un transistor NFET open-drain con sorgente con messa a terra (GND). Se utilizzato con un relè esterno, è necessario collegare un diodo in parallelo al carico per proteggere il dispositivo da transistori di tensione.	Ingresso min. = - 40 V CC Ingresso max. = +40 V CC Carico max. = 100 mA Tensione max. = + 40 V CC (ingresso per il transistor)
4	Canale 2, I/O 1 configurabile		
5	Canale 3, I/O 1 configurabile		
6	Canale 4, I/O 1 configurabile		
7	Canale 5, I/O 1 configurabile		
8	Canale 6, I/O 1 configurabile		
9	Canale 1, I/O 2 configurabile		
10	Canale 2, I/O 2 configurabile		
11	RS485A	Interfaccia RS485 half-duplex per il controllo di apparecchiature ausiliarie come i dispositivi PTZ.	
12	RS485B		

## Installazione dell'Hardware

### **AVVISO**

AXIS 291 Video Server Rack è progettato per essere utilizzato solo con codificatori video blade Axis.

AXIS 291 1U Video Server Rack deve essere utilizzato in un'ubicazione che soddisfi i seguenti requisiti:

- La presa di alimentazione deve trovarsi a una distanza massima di 1,8 metri
- Per garantire una ventilazione adeguata devono esserci almeno 50 mm di spazio libero su ogni lato
- Assenza di polvere eccessiva

Eseguire l'installazione dell'hardware rispettando l'ordine seguente:

1. *Montaggio su una superficie piana*  
o  
*Installazione in un rack per apparecchiature da 19"*
2. *Installazione dei codificatori video blade*

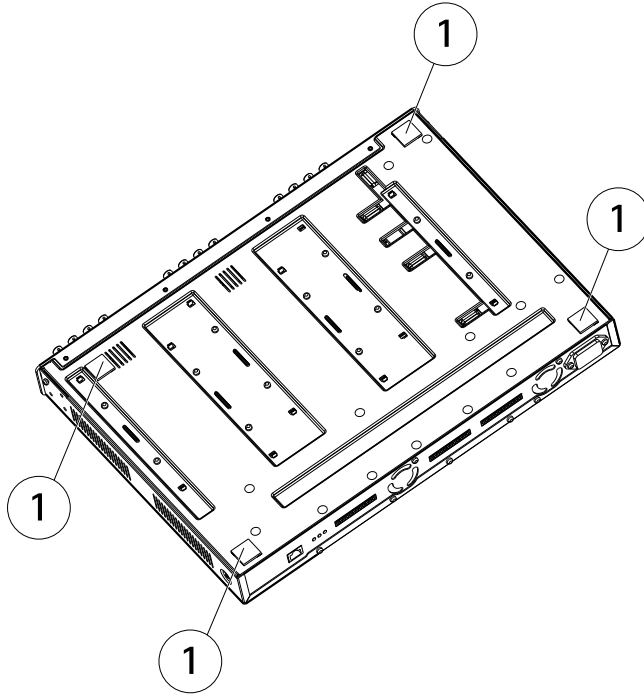
3. *Connessione del connettore per morsetti I/O*
4. *Connessione all'alimentazione*

## Montaggio su una superficie piana

### Nota

AXIS Video Server Rack compresi i cavi pesa 6 kg al massimo. Controllare che la superficie possa sostenere tale peso.

1. Fissare i quattro piedini in gomma alla parte inferiore dell'unità.
2. Posizionare l'unità su una superficie piana, ad esempio uno scaffale o un tavolo.



1 *Piedini in gomma*

### Installazione in un rack per apparecchiature da 19"

#### **AVVISO**

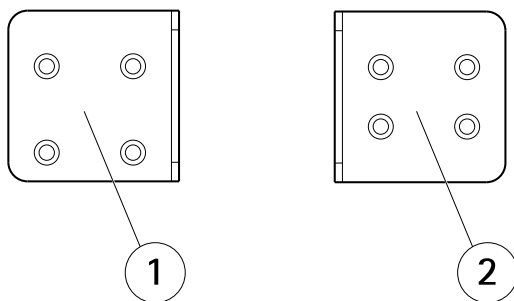
- Le staffe di montaggio sono progettate per supportare non più di un'unità. Non impilare altre unità direttamente sopra il rack.
- Ogni unità del rack deve essere fissata con staffe appropriate.
- Posizionare le unità più pesanti nella parte inferiore del rack.

#### Requisiti:

- Cacciavite Pozidriv n. 1
- Cacciavite Pozidriv n. 3
- Il rack deve essere fissato al pavimento mediante bulloni.
- AXIS Video Server Rack deve essere connesso allo stesso punto di messa a terra del rack per apparecchiature.

#### Fissaggio delle staffe

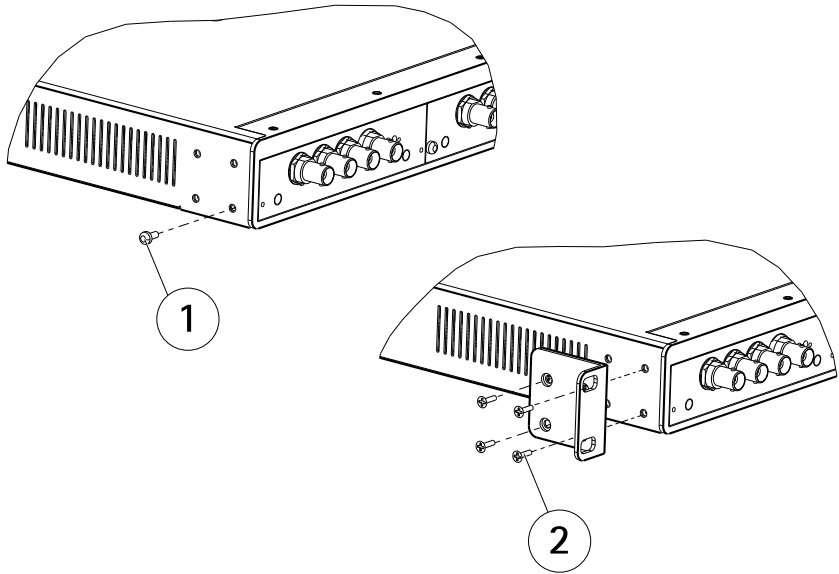
1. Identificare la staffa di montaggio sinistra e destra tramite l'etichetta presente su ogni staffa.



- 1 *Staffa di montaggio sinistra*
- 2 *Staffa di montaggio destra*

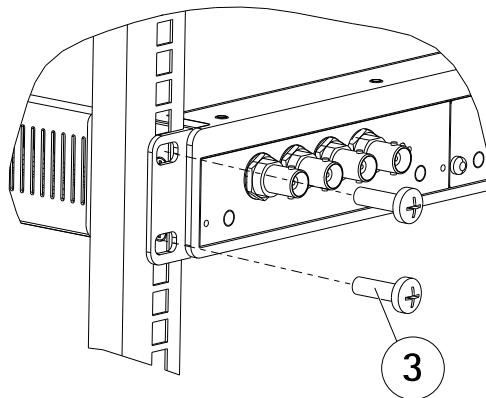
2. Rimuovere ed eliminare la vite da ogni lato dell'unità.
3. Utilizzando le viti a incasso, fissare la staffa di montaggio sinistra e destra ai lati dell'unità. Non utilizzare la vite rimossa al passaggio 1.





- 1 Vite
- 2 Viti a incasso (M3x8)

4. Far scorrere AXIS Video Server Rack nel rack per attrezzature e fissare le viti.



- 3 Viti (M6x20)

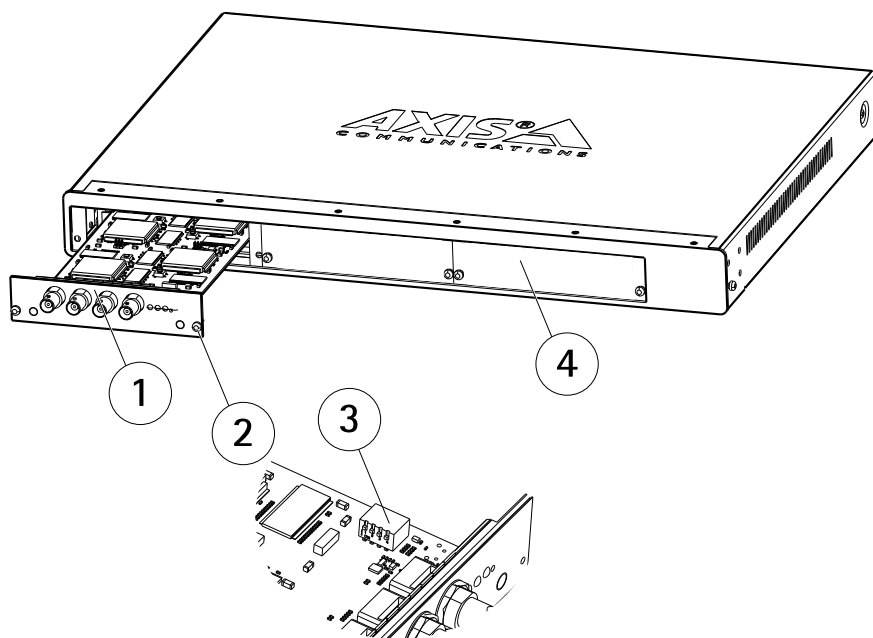
## Installazione dei codificatori video blade

AXIS Video Server Rack può contenere tre codificatori video blade Axis. Gli slot sono numerati da 1 a 3, da sinistra a destra, come mostra la vista frontale. Sono numerate anche le morsettiere I/O di ciascuno slot sul pannello posteriore.

### AVVISO

Non è consentito lasciare uno slot vuoto in AXIS Video Server Rack aperto. Montare le coperture del pannello frontale su tutti gli slot vuoti.

1. Rimuovere la copertura del pannello frontale dallo slot in cui verrà montato il codificatore video. Per effettuare questa operazione, allentare la vite su ciascun lato della copertura.
2. Inserire il codificatore video facendolo scorrere lungo le guide. Il dip switch per l'impostazione della terminazione di linea è visibile sul bordo superiore.
3. Collegare il codificatore video utilizzando le viti della copertura del pannello frontale.



- 1 Codificatore video blade
- 2 Vite
- 3 Dip switch
- 4 Copertura per il pannello frontale

## Connessione del connettore per morsetti I/O

Per connettori sostitutivi compatibili, contattare <http://www.phoenixcontact.com>, indicando: MC1.5/ 12-ST-3.81 (codice 1803675).

Per connettere i dispositivi input/output al connettore per morsetti I/O, procedere nel modo seguente:

A seconda del blade utilizzato nell'installazione, vedere *pagina 52* o *pagina 53*.

1. Facendo riferimento alle tabelle precedenti, allentare la vite corrispondente sopra il pin del blocco connettore verde.
2. Spingere il cavo nel blocco connettore e fissarlo serrando la vite.
3. Una volta collegati tutti i dispositivi, spingere il blocco connettore nel connettore per morsetti sul pannello posteriore del rack del codificatore video.

## Connessione all'alimentazione

### **AWISO**

- Per evitare il rischio di scosse elettriche in caso di contatto con il casing dell'unità, utilizzare solo cavi di alimentazione muniti di idonea messa a terra per alimentare AXIS Video Server Rack.
- Verificare che l'edificio disponga di idonee protezioni contro le sovracorrenti, i corto circuiti e i guasti di terra.
- AXIS Video Server Rack è progettato per essere usato solo in ambienti interni e con sistemi di alimentazione TN e IT.
- In caso di caduta accidentale di materiale estraneo all'interno del rack del codificatore video, scollegare sempre l'alimentazione prima di tentare di rimuovere l'oggetto.

AXIS Video Server Rack non dispone di un pulsante o un interruttore di accensione e verrà alimentato non appena il cavo di alimentazione viene collegato. L'unico modo per togliere l'alimentazione consiste nello scollegamento del cavo, quindi è importante posizionare l'unità in modo che il cavo di alimentazione sia facilmente accessibile. Verificare che il cavo di alimentazione CA utilizzato sia adatto al paese di utilizzo, vedere *pagina 52*.

## Ulteriori Informazioni

Visitare il centro di apprendimento Axis alla pagina [www.axis.com/academy](http://www.axis.com/academy) per servizi di formazione utili, webinar, tutorial e guide.

### **Informazioni sulla garanzia**

Per informazioni sulla garanzia del dispositivo Axis e informazioni ad esso relative, consultare la pagina [www.axis.com/warranty/](http://www.axis.com/warranty/)

## Información de seguridad

Lea esta Guía de instalación con atención antes de instalar el producto. Guarde la Guía de instalación para poder consultarla en otro momento.

### Niveles de peligrosidad

**▲PELIGRO**

Indica una situación peligrosa que, si no se evita, provocará lesiones graves o la muerte.

**▲ADVERTENCIA**

Indica una situación peligrosa que, si no se evita, puede provocar lesiones graves o la muerte.

**▲ATENCIÓN**

Indica una situación peligrosa que, si no se evita, puede provocar lesiones moderadas o leves.

**AVISO**

Indica una situación peligrosa que, si no se evita, puede provocar daños materiales.

### Otros niveles de mensaje

**Importante**

Indica información importante que es fundamental para que el producto funcione correctamente.

**Nota**

Indica información útil que ayuda a aprovechar el producto al máximo.

## Instrucciones de seguridad

### **▲ADVERTENCIA**

- El encargado de instalar el producto de Axis debe ser un profesional con experiencia.

### **AVISO**

- El producto de Axis debe utilizarse de acuerdo con la legislación y la normativa locales.
- Para usar el producto de Axis en exteriores, o en entornos similares, debe instalarse en una carcasa exterior aprobada.
- Almacene el producto de Axis en un entorno seco y ventilado.
- Evite la exposición del producto de Axis a choques o a una fuerte presión.
- No instale el producto en soportes, superficies o paredes inestables.
- Utilice solo las herramientas correspondientes cuando instale el producto de Axis. La aplicación de una fuerza excesiva con herramientas eléctricas puede provocar daños en el producto.
- Utilice solo accesorios que cumplan con las especificaciones técnicas del producto. Estos accesorios los puede proporcionar Axis o un tercero.
- Utilice solo piezas de repuesto proporcionadas o recomendadas por Axis.
- No intente reparar el producto usted mismo. Póngase en contacto con el servicio de asistencia técnica de Axis o con su distribuidor de Axis para tratar asuntos de reparación.

## Transporte

### **AVISO**

- Cuando transporte el producto de Axis, utilice el embalaje original o un equivalente para evitar daños en el producto.

## Guía de instalación

Esta Guía de instalación ofrece instrucciones para instalar el bastidor para servidor de vídeo AXIS 291 1U con capacidad para albergar hasta tres servidores de vídeo de tarjeta Axis. Para instalar el servidor de vídeo Axis en la red, consulte la guía de instalación propia del servidor de vídeo en [www.axis.com](http://www.axis.com)

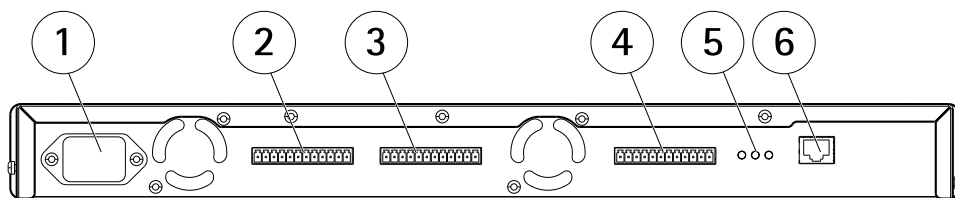
### Pasos de la instalación

1. Asegúrese de que dispone del contenido del paquete, las herramientas y los demás materiales necesarios para la instalación. Vea *página 63*.
2. Estudie la información general del hardware. Vea *página 64*.
3. Estudie las especificaciones. Vea *página 65*.
4. Instale el hardware. Vea *página 68*.

### Contenido del paquete

- Bastidor para servidor de vídeo AXIS 291 1U
- Cubierta del panel delantero 1U (x2)
- Cable de alimentación de CA, consulte *página 66*
- Kit de montaje
  - Pie de goma (x4) para instalación en superficies planas
  - Soporte de montaje (izquierdo)
  - Soporte de montaje (derecho)
  - Tornillos M3x8 para fijar los soportes laterales
  - Tornillos M6x20 para montar el bastidor para servidor de vídeo AXIS en el bastidor del equipo
  - Bloque de conectores de terminales, 12 pines, verde
- Materiales impresos
  - Guía de instalación (este documento)

## Información general del hardware



- 1 Conector de alimentación
- 2 Conector del terminal de E/S 3
- 3 Conector del terminal de E/S 2
- 4 Conector del terminal de E/S 1
- 5 LED de red y de alimentación
- 6 Conector de red

## Indicadores LED

LED 10/100	Indicación
Rojo	Parpadea para indicar una conexión a una red de 10 Mbit/s.
Verde	Parpadea para indicar una conexión a una red de 100 Mbit/s.

LED 1000	Indicación
Verde	Parpadea para indicar una conexión a una red de 1 Gbit/s.

LED de alimentación	Indicación
Verde	Funcionamiento normal.

## Conectores y botones

Para conocer las especificaciones y las condiciones de funcionamiento, vea *página 65*.

### Conector de red

Conector Ethernet RJ45.



## Conector de E/S

Se utiliza con dispositivos externos combinados, por ejemplo, con alarmas antimanipulación, detección de movimiento, activación de eventos, grabación de intervalos de tiempo y notificaciones de alarma. Además del punto de referencia de 0 V CC y la potencia (salida de CC), el conector de E/S ofrece la interfaz para:

- **Salida digital:** para conectar dispositivos externos como relés y LED. Los dispositivos conectados se pueden activar mediante la Interfaz de programación de aplicaciones (API) VAPIX®, los botones de salida de la página Live View o mediante una regla de acción. La salida se mostrará activa (se indica en **System Options > Ports & Devices** (Opciones del sistema > Puertos y dispositivos)) si el dispositivo de alarma está activado.
- **Entrada digital:** una entrada de alarma para conectar dispositivos que puedan alternar circuitos cerrados y abiertos, como detectores PIR, contactos de puertas y ventanas, detectores de rotura de cristales, etc. Cuando se recibe una señal, el estado cambia y la entrada se vuelve activa (se indica en **System Options > Ports & Devices** (Opciones del sistema > Puertos y dispositivos)).

## Conector RS485/RS422

Dos bloques de terminales para la interfaz serie RS485/RS422 usada para controlar equipos auxiliares, como dispositivos de movimiento horizontal/vertical.

## Especificaciones

### Condiciones de funcionamiento

El producto de Axis se ha creado para su uso en interiores.

Producto	Temperatura	Humedad
AXIS 291 1U	De 0 °C a 45 °C	Humedad relativa del 20-80 % (sin condensación)

### Especificaciones de alimentación

#### AVISO

Utilice una fuente de alimentación limitada (LPS) con una potencia nominal de salida limitada a  $\leq 100$  W o una corriente nominal de salida limitada a  $\leq 5$  A.

Producto	Tensión de entrada	Corriente de entrada	Consumo
AXIS 291 1U	100-240 V CA 50-60 Hz	1,9 A	Con 3 AXIS 243Q: 80 W máx.

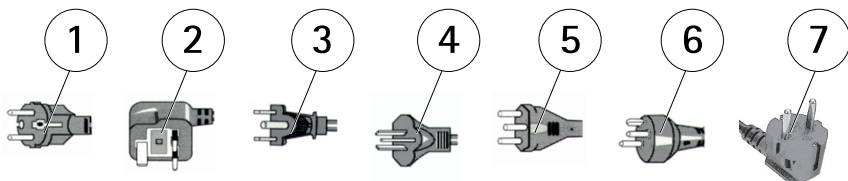
# AXIS 291 1U Video Server Rack

## Conectores

### Conector de alimentación

Conector de CA para entrada de alimentación.

Variantes del enchufe del cable de alimentación:



- 1 *Europa*
- 2 *Reino Unido*
- 3 *EE. UU., Canadá, Japón*
- 4 *Australia*
- 5 *Suiza*
- 6 *Dinamarca*
- 7 *Corea del Sur*

### Asignaciones de pines del conector de E/S para tarjetas AXIS P72

Pin	Función	Descripción	
1	Salida de +12 V, 100 mA		
2	Masa		
3	E/S configurable 1	Entrada digital: conecte a GND (masa) para activarla o déjela suelta (o desconectada) para desactivarla. Salida digital: utiliza un transistor NFET de drenaje abierto con la fuente conectada al pin de masa (GND). Si se utiliza con un relé externo, debe conectarse un diodo en paralelo a la carga como protección ante transitorios de tensión.	Entrada mín. = 0 V CC Entrada máx. = + 40 V CC Carga máx. = 100 mA Voltaje máx. aplicado = + 40 V CC
4	E/S configurable 2		
5	E/S configurable 3		
6	E/S configurable 4		

7-10		No se utiliza
11	RS485A	Una interfaz RS485 semidúplex para controlar equipos auxiliares como dispositivos PTZ.
12	RS485B	

## Asignaciones de pines del conector de E/S para tarjeta AXIS Q7414

Pin	Función	Descripción	
1	Salida de +12 V, 100 mA		
2	Masa		
3	Canal 1, E/S configurable 1	<p>Entrada digital: conecte a GND (masa) para activarla o déjela suelta (o desconectada) para desactivarla.</p> <p>Salida digital: utiliza un transistor NFET de drenaje abierto con la fuente conectada al pin de masa (GND). Si se utiliza con un relé externo, debe conectarse un diodo en paralelo a la carga como protección ante transitorios de tensión.</p>	<p>Entrada mín. = - 40 V CC</p> <p>Entrada máx. = + 40 V CC</p> <p>Carga máx. = 100 mA</p> <p>Voltaje máx. = + 40 V CC (al transistor)</p>
4	Canal 2, E/S configurable 1		
5	Canal 3, E/S configurable 1		
6	Canal 4, E/S configurable 1		
7	Canal 1, E/S configurable 2		
8	Canal 2, E/S configurable 2		
9	Canal 3, E/S configurable 2		
10	Canal 4, E/S configurable 2		
11	RS485A	Una interfaz RS485 semidúplex para controlar equipos auxiliares como dispositivos PTZ.	
12	RS485B		

## Asignaciones de pines del conector de E/S para tarjetas AXIS Q7406 y AXIS Q7436

Pin	Función	Descripción
1	Salida de +12 V, 100 mA	
2	Masa	

## AXIS 291 1U Video Server Rack

3	Canal 1, E/S configurable 1	Entrada digital: conecte a GND (masa) para activarla o déjela suelta (o desconectada) para desactivarla. Salida digital: utiliza un transistor NFET de drenaje abierto con la fuente conectada al pin de masa (GND). Si se utiliza con un relé externo, debe conectarse un diodo en paralelo a la carga como protección ante transitorios de tensión.	Entrada mín. = - 40 V CC Entrada máx. = + 40 V CC Carga máx. = 100 mA Voltaje máx. = + 40 V CC (al transistor)
4	Canal 2, E/S configurable 1		
5	Canal 3, E/S configurable 1		
6	Canal 4, E/S configurable 1		
7	Canal 5, E/S configurable 1		
8	Canal 6, E/S configurable 1		
9	Canal 1, E/S configurable 2		
10	Canal 2, E/S configurable 2		
11	RS485A	Una interfaz RS485 semidúplex para controlar equipos auxiliares como dispositivos PTZ.	
12	RS485B		

## Instalación del hardware

### AVISO

El bastidor para servidor de vídeo AXIS 291 está diseñado únicamente para su uso con servidores de vídeo de tarjeta Axis.

La ubicación elegida para el bastidor del servidor de vídeo AXIS 291 1U debe cumplir los siguientes requisitos:

- La fuente de alimentación no puede estar a más de 1,8 metros de distancia
- Para asegurarse de que la ventilación es la adecuada, debe existir un mínimo de 50 mm a cada lado
- Sin nivel excesivo de polvo

Instale el hardware en el siguiente orden:

1. *Colocación en una superficie plana*  
o  
*Instalación en un bastidor del equipo de 19"*
2. *Instalación de los servidores de vídeo de tarjeta*

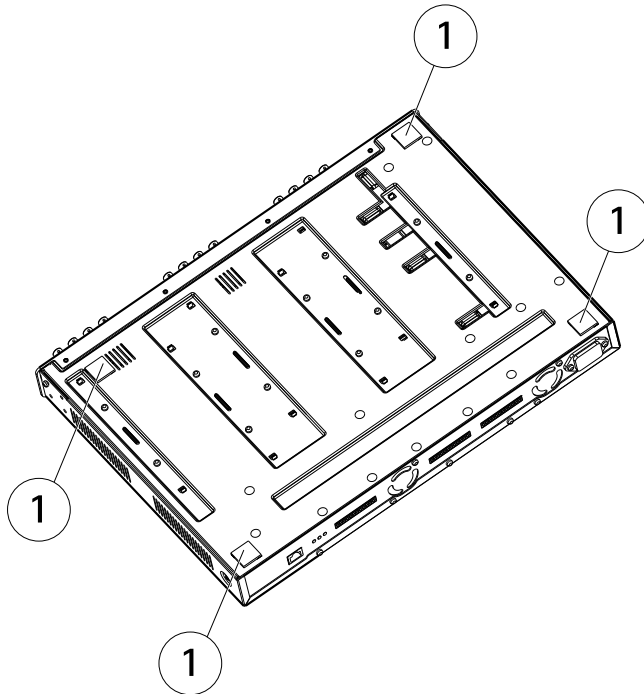
3. *Conexión del conector del terminal de E/S*
4. *Conexión de alimentación*

## Colocación en una superficie plana

### Nota

El bastidor para servidor de vídeo AXIS con los cables incluidos pesa hasta 6 kg. Asegúrese de que la superficie pueda soportar ese peso.

1. Fije las cuatro patas de goma a la parte inferior de la unidad.
2. Coloque la unidad en una superficie plana, por ejemplo, en una estantería o una mesa.



1 Pata de goma

## Instalación en un bastidor del equipo de 19"

### AVISO

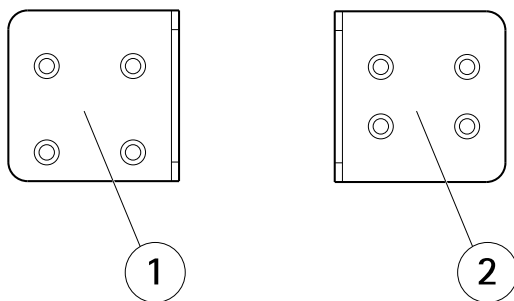
- Los soportes de montaje no están diseñados para contener más de una unidad, no apile otras unidades directamente encima.
- Fije cada unidad instalada en el bastidor con los soportes adecuados.
- Coloque las unidades más pesadas en la parte inferior del bastidor.

### Requisitos:

- Destornillador Pozidriv n.º 1
- Destornillador Pozidriv n.º 3
- El bastidor debe quedar fijado y atornillado al suelo.
- El bastidor para servidor de vídeo AXIS debe conectarse a la misma toma de tierra que el bastidor del equipo.

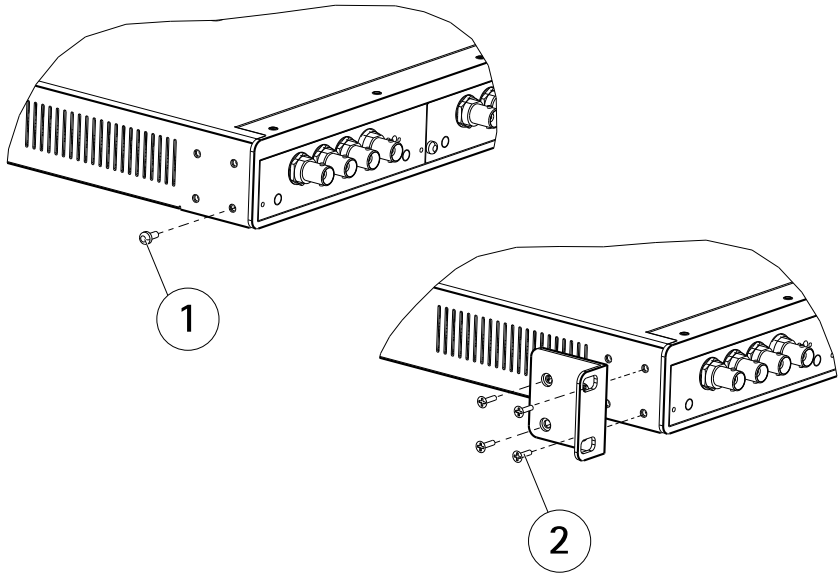
### Atornille los soportes

1. El soporte de montaje izquierdo y el soporte de montaje derecho vienen identificados por una etiqueta cada uno.



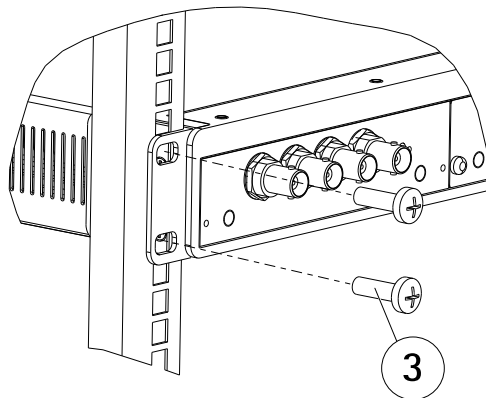
- 1 Soporte de montaje izquierdo
- 2 Soporte de montaje derecho

2. Quite y tire el tornillo de cada lado de la unidad.
3. Sirviéndose de los tornillos de montaje empotrado, ajuste el soporte de montaje del lado izquierdo y el soporte de montaje del lado derecho a los laterales de la unidad. No utilice el tornillo desechado en el paso 1.



- 1 Tornillo
- 2 Tornillos de montaje empotrado (M3x8)

4. Coloque el bastidor para servidor de vídeo AXIS en el bastidor del equipo y fije los tornillos.



- 3 Tornillos (M6x20)

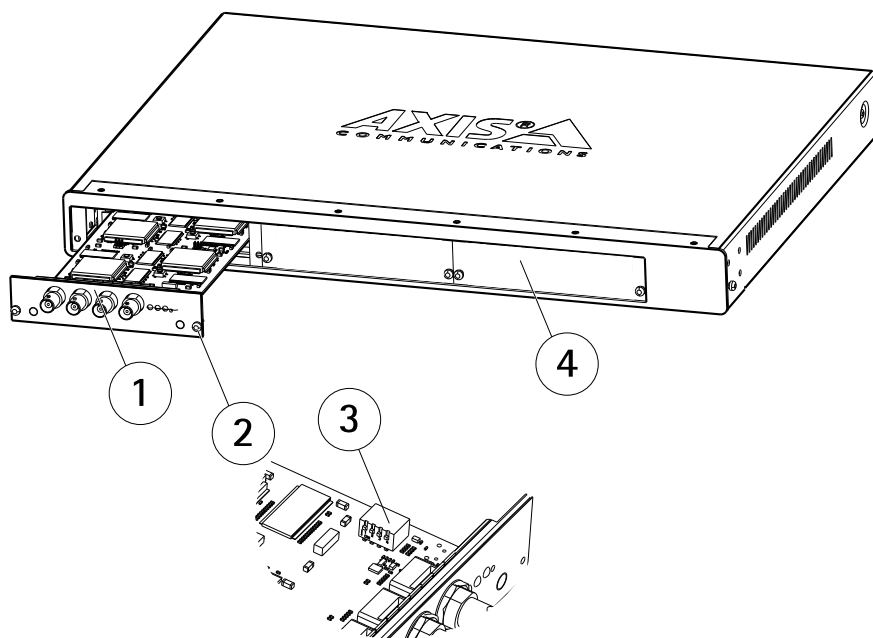
## Instalación de los servidores de vídeo de tarjeta

El bastidor para servidor de vídeo AXIS puede albergar tres servidores de vídeo de tarjeta Axis. Las ranuras están numeradas del 1 al 3 de izquierda a derecha, visto de frente. Los conectores de E/S para cada ranura del panel trasero también están numerados.

### AVISO

No se puede dejar abierta una ranura vacía del bastidor para servidor de vídeo Axis. Las cubiertas del panel delantero deben usarse en todas las ranuras vacías.

1. Retire la cubierta del panel delantero de la ranura en la que se vaya a montar el servidor de vídeo. Para ello, afloje los tornillos a cada lado de la cubierta.
2. Ayúdese de las guías para colocar, deslizándolo, el servidor de vídeo. En el borde superior debe verse el conmutador DIP para el ajuste de la terminación de línea.
3. Utilice los tornillos de la cubierta del panel delantero para fijar el servidor de vídeo.



- 1 Servidor de vídeo de tarjeta
- 2 Tornillo
- 3 Conmutador DIP
- 4 Cubierta del panel delantero



## Conexión del conector del terminal de E/S

Para conectores de sustitución compatibles, póngase en contacto con <http://www.phoenixcontact.com>, y mencione la referencia: MC1.5/ 12-ST-3.81 (art. n.º 1803675).

Para conectar los dispositivos de entrada/salida al conector del terminal de E/S, siga estos pasos:

En función de la tarjeta que se haya utilizado para la instalación, consulte *página 66* o *página 67*.

1. Tomando como referencia las tablas anteriores, afloje el tornillo correspondiente en la parte superior del pin del bloque de conectores verde.
2. Haga pasar el cable por el bloque de conectores y fíjelo apretando el tornillo.
3. Una vez que todos los dispositivos estén conectados, encaje el bloque de conectores en el conector del terminal en el panel trasero del bastidor para el servidor de vídeo.

## Conexión de alimentación

### AVISO

- Para evitar el riesgo de descarga eléctrica cuando se haga contacto con la carcasa de la unidad, solo deben utilizarse los cables de alimentación conectados a tierra para la alimentación del bastidor para servidor de vídeo AXIS.
- Debe proporcionarse protección contra sobretensión, cortocircuitos y derivaciones a tierra en la instalación del edificio.
- El bastidor para servidor de vídeo AXIS está diseñado únicamente para su uso en interiores y solo para sistemas de alimentación TN e IT.
- Si un objeto extraño cae accidentalmente en el bastidor para servidor de vídeo, desconecte siempre la alimentación antes de intentar retirar el objeto.

El bastidor para servidor de vídeo AXIS no dispone de botón o conmutador de encendido/apagado, se enciende en cuanto se conecta el cable de alimentación. Desenchufar el cable es la única manera de desconectar la unidad, de manera que es importante instalarla de modo que el cable de alimentación esté accesible. Compruebe que se esté utilizando el cable de alimentación de CA correcto para su país, consulte *página 66*.

## Más información

Visite el centro de aprendizaje de [www.axis.com/academy](http://www.axis.com/academy) para consultar guías, tutoriales, seminarios web y cursos que pueden resultarle útiles.

### Información de garantía

Para obtener más detalles sobre la garantía del producto de Axis y la información relacionada con ella, consulte [www.axis.com/warranty/](http://www.axis.com/warranty/)

## 安全情報

本製品を設置する前に、このインストールガイドをよくお読みください。インストールガイドは、後で参照できるように保管しておいてください。

## 危険レベル

### ▲危険

回避しない場合、死亡または重傷につながる危険な状態を示します。

### ▲警告

回避しない場合、死亡または重傷につながるおそれのある危険な状態を示します。

### ▲注意

回避しない場合、軽傷または中程度の怪我につながるおそれのある危険な状態を示します。

### 注記

回避しない場合、器物の破損につながるおそれのある状態を示します。

## その他のメッセージレベル

### 重要

製品を正しく機能させるために不可欠な重要情報を示します。

### 注意

製品を最大限に活用するために役立つ有用な情報を示します。

## 安全手順

### ▲警告

- 本製品の設置は、訓練を受けた専門技術者が行ってください。

### 注記

- 本製品は、お使いになる地域の法律や規制に準拠して使用してください。
- 本製品を屋外またはそれに準じる環境で使用する場合は、認定済みの屋外用筐体に収納して設置する必要があります。
- 本製品は乾燥した換気のよい環境に保管してください。
- 本製品に衝撃または強い圧力を加えないでください。
- 本製品を不安定なブラケット、表面、または壁に設置しないでください。
- 本製品を設置する際には、適切な工具のみを使用してください。電動工具を使用して過剰な力をかけると、製品が損傷することがあります。
- 製品の技術仕様に準拠したアクセサリのみを使用してください。これらのアクセサリは、Axisまたはサードパーティから入手できます。
- Axisが提供または推奨する交換部品のみを使用してください。
- 製品を自分で修理しないでください。修理については、Axisサポートまたは販売代理店にお問い合わせください。

## 輸送

### 注記

- 本製品を運搬する際は、製品が損傷しないよう、元の梱包か同等の梱包を使用してください。

## インストールガイド

このインストールガイドでは、最大3つのAXISブレードビデオサーバーを収容できるAXIS 291 1Uビデオサーバーラックをインストールする手順について説明します。Axisビデオサーバーをネットワークにインストールする手順については、[www.axis.com](http://www.axis.com)でビデオサーバーのインストールガイドを参照してください

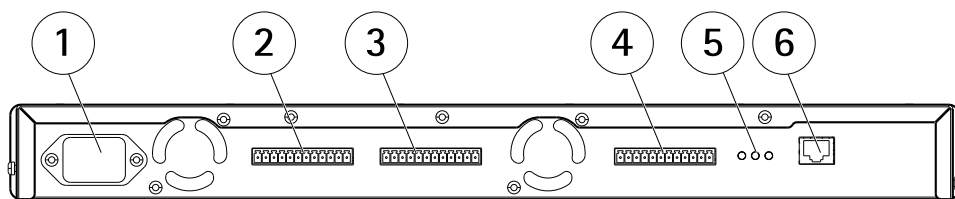
## 設置手順

1. パッケージの内容、ツールなど、設置に必要な物がそろっているかを確認します。77ページを参照してください。
2. ハードウェアの概要を確認します。78ページを参照してください。
3. 仕様を確認します。79ページを参照してください。
4. ハードウェアを設置します。82ページを参照してください。

## パッケージの内容

- AXIS 291 1Uビデオサーバーラック
- フロントパネルカバー1U×2
- AC電源コード (80ページを参照)
- 取り付けキット
  - 平面配置用のゴム脚×4
  - 取り付けブラケット (左側)
  - 取り付けブラケット (右側)
  - サイドブラケット取付用のM3x8ネジ
  - AXISビデオサーバーラックを装置ラックに取り付けるためのM6x20ネジ
  - ターミナルコネクタブロック、12ピン、緑
- 印刷物
  - インストールガイド (本書)

## ハードウェアの概要



- 1 電源コネクタ
- 2 I/Oターミナルコネクタ3
- 3 I/Oターミナルコネクタ2
- 4 I/Oターミナルコネクタ1
- 5 電源LEDおよびネットワークLED
- 6 ネットワークコネクタ

## LEDインジケータ

10/100 LED	説明
赤	10 Mbit/sネットワークに接続している場合、点滅します。
緑	100 Mbit/sネットワークに接続している場合、点滅します。

1000 LED	説明
緑	1 Gbit/sネットワークに接続している場合、点滅します。

電源LED	説明
緑	正常動作。

## コネクタとボタン

仕様と動作条件については、79ページを参照してください。

### ネットワークコネクタ

RJ45イーサネットコネクタ。

## I/Oコネクタ

外部装置を接続し、カメラに対するいたずらの警告、動体検知、イベントトリガー、低速度撮影、アラーム通知などを使用することができます。I/Oコネクタは、0V DC基準点と電力 (DC出力) に加えて、以下のインターフェースを提供します。

- **デジタル出力** – リレーやLEDなどの外部デバイスを接続します。接続されたデバイスは、VAPIX®アプリケーションプログラミングインターフェース (API)、[Live View] (ライブビュー) ページの出力ボタン、アクションルールを使用してアクティブにすることができます。アラームデバイスがアクティブな場合、出力がアクティブと表示されます (**System Options > Port & Devices (システムオプション > ポートとデバイス)** で表示)。
- **デジタル入力** – オープンサーキットとクローズサーキットの切り替えが可能なデバイスを接続するためのアラーム入力。信号を受取ると状態が変化し、入力がアクティブになります (**System Options > Ports & Devices (システムオプション > ポートとデバイス)** で表示)。

## RS485/RS422 コネクタ

パン/チルトデバイスなど補助装置の制御に使用する、RS485/RS422シリアルインターフェース用のターミナルブロック×2

## 仕様

### 動作条件

本製品は屋内用です。

製品	温度	湿度
AXIS 291 1U	0° C～45° C	20～80% RH (結露不可)

### 電源仕様

#### 注記

定格出力が100 Wまたは5 A以下の有限電源 (LPS) を使用します。

製品	入力電圧	入力電流	消費電力
AXIS 291 1U	100～240 V AC 50～60 Hz	1.9 A	3台のAXIS 243Q収容の場合: 最大80 W

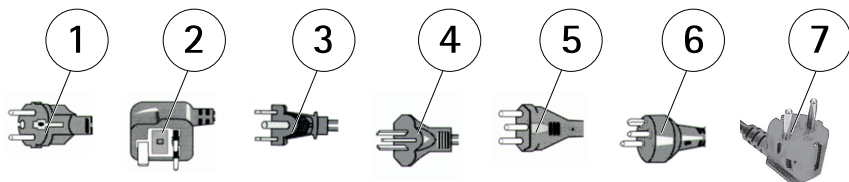
# AXIS 291 1U Video Server Rack

## コネクター

### 電源コネクタ

電源入力用ACコネクタ。

電源コードプラグには以下のモデルがあります。



- 1 欧州
- 2 英国
- 3 米国、カナダ、日本
- 4 オーストラリア
- 5 スイス
- 6 デンマーク
- 7 韓国

## I/Oコネクタのピン割り当て - AXIS P72 ブレード

ピン	機能	説明
1	+12V出力、 100mA	
2	GND	
3	設定可能I/O 1	デジタル入力 - アクティブにするにはGNDに接続し、非アクティブにするにはフロート状態（つまり、未接続）のままにします。 デジタル出力 - オープンドレインNFETトランジスタを使用。ソースをGNDに接続。外部リレーとともに使用する場合は、過渡電圧から保護するため、ダイオードを負
4	設定可能I/O 2	
5	設定可能I/O 3	
6	設定可能I/O 4	
		最低入力 = 0V DC 最大入力 = +40V DC 最大負荷 = 100 mA 適用最大電圧 = +40V DC



		荷と並列に接続する必要があります。	
7-10		使用しません	
11	RS485A	PTZ装置などの補助装置の制御に使用する半二重RS485インターフェース。	
12	RS485B		

## I/Oコネクタのピン割り当て - AXIS Q7414 ブレード

ピン	機能	説明	
1	+12 V出力、100mA		
2	GND		
3	チャンネル1、設定可能I/O 1	デジタル入力-アクティブにするにはGNDに接続し、非アクティブにするにはフロート状態(つまり、未接続)のままにします。 デジタル出力-オープンドレインNFETトランジスタを使用。ソースをGNDに接続。外部リレーとともに使用する場合は、過渡電圧から保護するため、ダイオードを負荷と並列に接続する必要があります。	最低入力 = -40 V DC 最大入力 = +40 V DC 最大負荷 = 100 mA 最大電圧 = +40 V DC (トランジスタへの数値)
4	チャンネル2、設定可能I/O 1		
5	チャンネル3、設定可能I/O 1		
6	チャンネル4、設定可能I/O 1		
7	チャンネル1、設定可能I/O 2		
8	チャンネル2、設定可能I/O 2		
9	チャンネル3、設定可能I/O 2		
10	チャンネル4、設定可能I/O 2		
11	RS485A	PTZ装置などの補助装置の制御に使用する半二重RS485インターフェース。	
12	RS485B		

## AXIS 291 1U Video Server Rack

### I/Oコネクタのピン割り当て - AXIS Q7406およびAXIS Q7436ブレード

ピン	機能	説明	
1	+12V出力、100mA		
2	GND		
3	チャンネル1、設定可能 I/O 1	デジタル入力 - 動作させるにはGNDに、動作させない場合はフロート状態（未接続）にします。 デジタル出力 - オープンドレインNFETトランジスターを使用。ソースをGNDに接続。外部リレーとともに使用する場合は、過渡電圧から保護するため、ダイオードを負荷と並列に接続する必要があります。	最小入力 = -40V DC 最大入力 = +40V DC 最大負荷 = 100mA 最大電圧 = +40V DC (トランジスターに対する数値)
4	チャンネル2、設定可能 I/O 1		
5	チャンネル3、設定可能 I/O 1		
6	チャンネル4、設定可能 I/O 1		
7	チャンネル5、設定可能 I/O 1		
8	チャンネル6、設定可能 I/O 1		
9	チャンネル1、設定可能 I/O 2		
10	チャンネル2、設定可能 I/O 2		
11	RS485A		
12	RS485B		

## ハードウェアの設置

### 注記

AXIS 291ビデオサーバーラックは、Axisブレードビデオサーバーと使用するようにより設計されています。

AXIS 291 1Uビデオサーバーラックを使用する場所は、以下の要件を満たす必要があります。

- 電源を1.8 m以内に配置する

- 十分な換気を確保するため、両側に少なくとも50 mmの空きスペースを確保する
- 過度な埃は避ける

ハードウェアの設置は、以下の順序で実施してください。

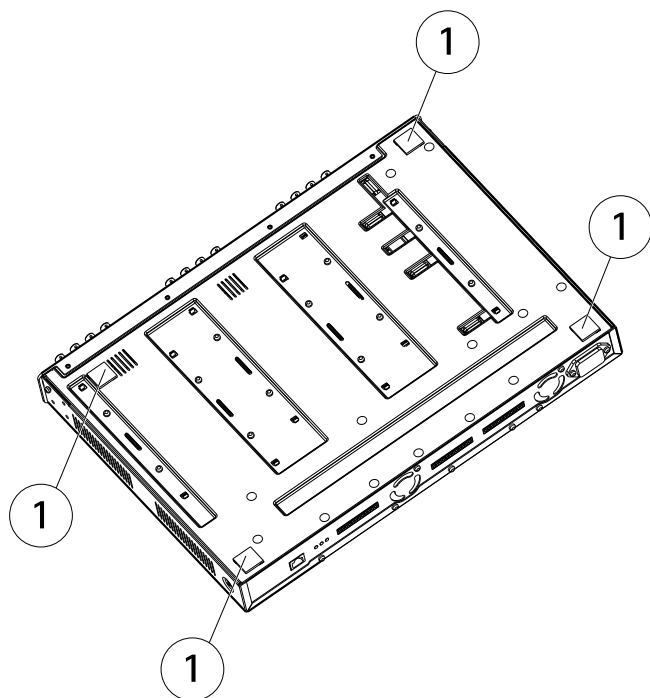
1. 平面への設置  
または  
19インチの装置ラックへの設置
2. ブレードビデオサーバーの設置
3. I/Oターミナルコネクタの接続
4. 電源の接続

## 平面への設置

### 注意

Axisビデオサーバーラックはケーブルを含めると、最大6 kgの重量になります。この重量を支えられる面かどうかを確認してください。

1. ユニット下部に4つのゴム脚を取り付けます。
2. 棚やテーブルなど、平面にユニットを配置します。



1 ゴム脚

## 19インチの装置ラックへの設置

### 注記

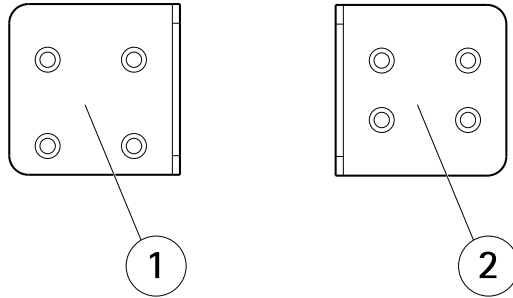
- 取り付けブラケットは、2台以上のユニットを支えるように設計されていません。他のユニットを直接積載しないでください。
- ラックに装着したユニットは、それぞれ、適切なブラケットを使用して固定する必要があります。
- 重いユニットほど、ラックの下部に装着してください。

### 要件:

- ポジドライブドライバー#1
- ポジドライブドライバー#3
- ラックにはブレースを取り付け、床にボルトで固定する必要があります。
- Axisビデオサーバーラックは、装置ラックと同じ接地面に接地させる必要があります。

## ブラケットの取り付け

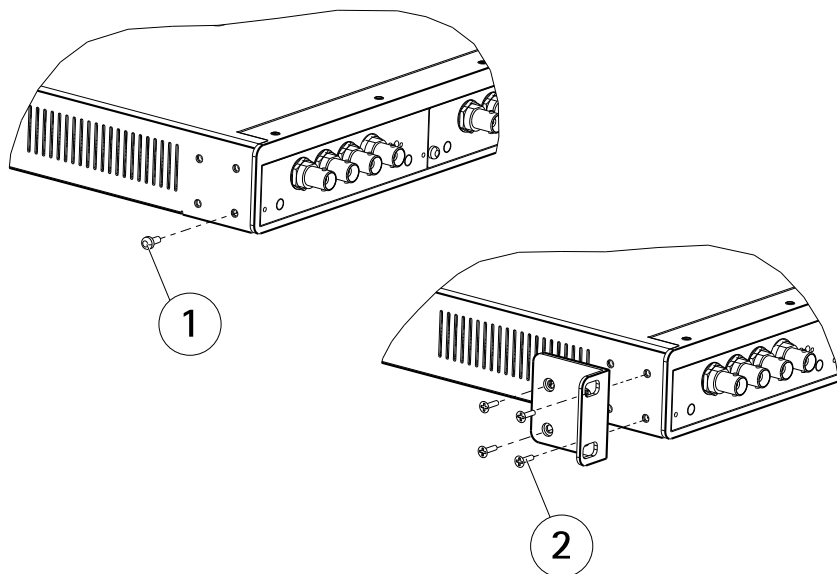
1. 左右ブラケットのラベルより、左側および右側の取り付けブラケットを確認します。



- 1 左側の取り付けブラケット
- 2 右側の取り付けブラケット

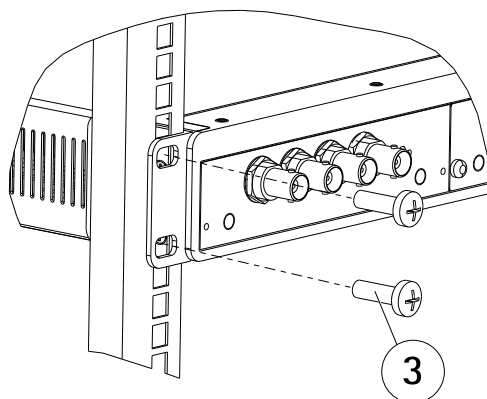
2. ユニットの一方の側でネジを外して破棄します。
3. 埋め込み式ネジを使用し、左側および右側の取り付けブラケットをユニットの両側に固定します。手順1で外したネジは使用しないでください。

# AXIS 291 1U Video Server Rack



- 1 ネジ
- 2 埋め込み式ネジ (M3×8)

4. AXISビデオサーバーラックを装置ラックにはめ込み、ネジを取り付けます。



- 3 ネジ (M6×20)

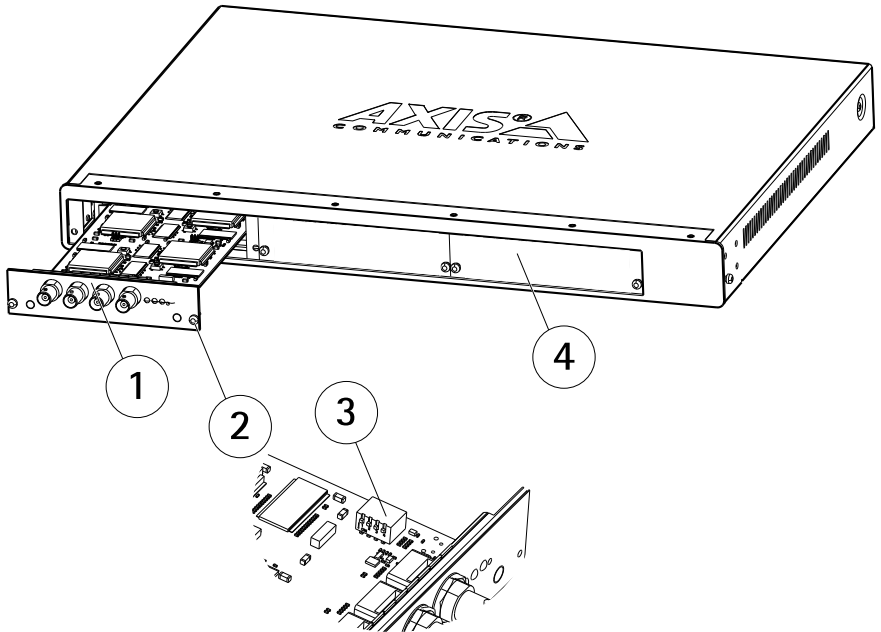
## ブレードビデオサーバーの設置

AXISビデオサーバーラックでは、3つのAxisブレードビデオサーバーを装着できます。ブレードを装着するスロットは、正面から見て左から右に1～3の番号が付いています。背面パネルにある各スロットのI/Oコネクタにも番号が付いています。

### 注記

Axisビデオサーバーラックの空きスロットを開放したままにすることはできません。すべての空きスロットに、フロントパネルカバーを取り付ける必要があります。

1. ビデオサーバーを装着したいスロットのフロントパネルカバーを外します。外すには、カバーの両サイドのネジを緩めます。
2. ガイドを使用して、ビデオサーバーを装着します。ライン終端を設定するディップスイッチが上端に見えます。
3. フロントパネルカバーを固定していたネジを使用して、ビデオサーバーを取り付けます。



- 1 ブレードビデオサーバー
- 2 ネジ
- 3 DIPスイッチ

## 4 フロントパネルカバー

### I/Oターミナルコネクタの接続

互換性のある交換用コネクタについては、<http://www.phoenixcontact.com>にお問い合わせのうえ、次を知らせてください: MC1.5/ 12-ST-3.81 (Art No. 1803675)。

入出力デバイスをI/Oターミナルコネクタに接続するには、以下の手順を使用します。

設置に使用するブレードにより、80ページまたは82ページを参照してください。

1. 上の表を参照し、緑色のコネクタブロックのピン上部にある対応するネジを緩めます。
2. ケーブルをコネクタブロックに押し込み、ネジを締め付けて固定します。
3. すべてのデバイスを接続したら、コネクタブロックをビデオサーバーラックの背面パネルにあるターミナルコネクタに押し込みます。

### 電源の接続

#### 注記

- ケースに触っても電気ショックを受けないように、Axisビデオサーバーラックへの電力供給は接地した電源コードを使用してください。
- 設置先の建物は、過電流、短絡、地絡に対する保護を備えている必要があります。
- このAxisビデオサーバーラックは屋内にのみ、またTNおよびIT電力システムにのみ対応しています。
- ビデオサーバーラックに異物が入った場合は、必ず電源を切断してから除去してください。

Axisビデオサーバーラックにはオン/オフを切り替えるスイッチまたはボタンがなく、電源コードを接続するとすぐに電源が入ります。電源を切るにはコードを取り外すしかないので、電源コードにアクセスしやすいようにユニットを配置する必要があります。使用する国に合わせて、適切なAC電源コードを使用してください(80ページを参照)。

### 関連情報

Axisラーニングセンター ([www.axis.com/academy](http://www.axis.com/academy)) にアクセスしてください。役に立つトレーニング、ウェブセミナー、チュートリアル、ガイドをご用意しています。



## 保証情報

Axisの製品保証と関連情報については、[www.axis.com/warranty](http://www.axis.com/warranty)をご覧ください

